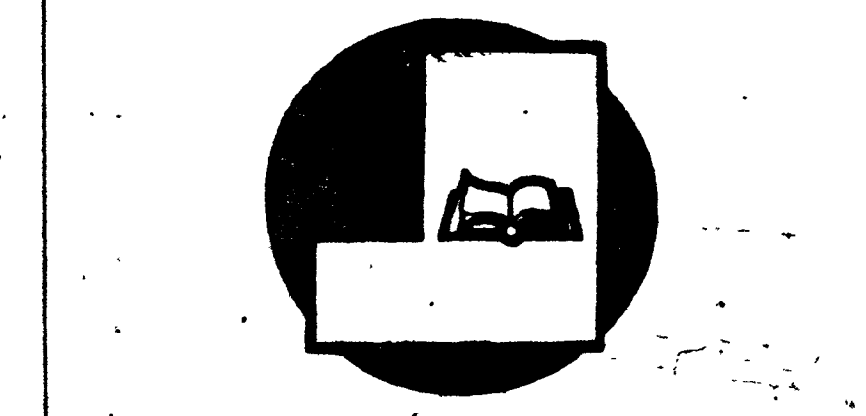


NOTES:

**NEW FACILITY FOR
BLUFFTON -
WELLS COUNTY
PUBLIC LIBRARY
BLUFFTON, INDIANA 46714**

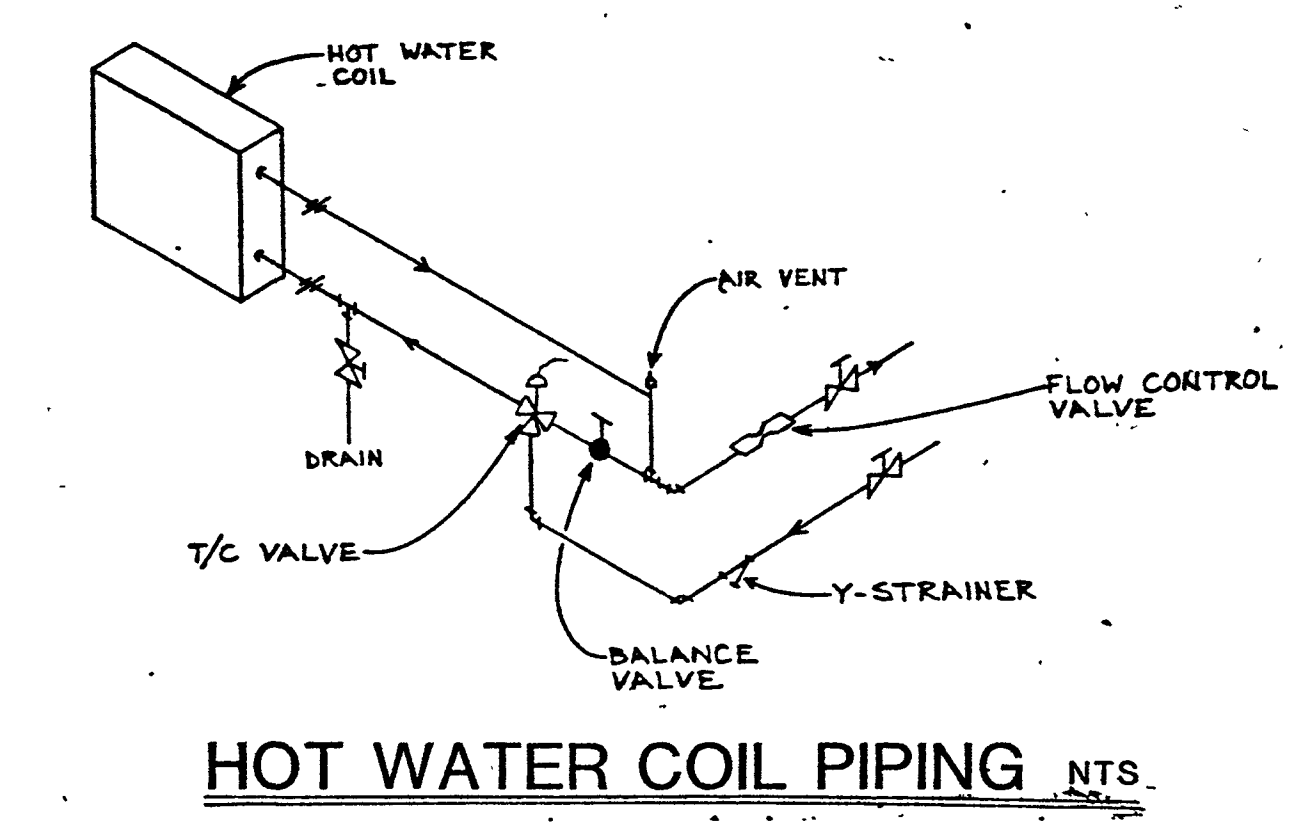
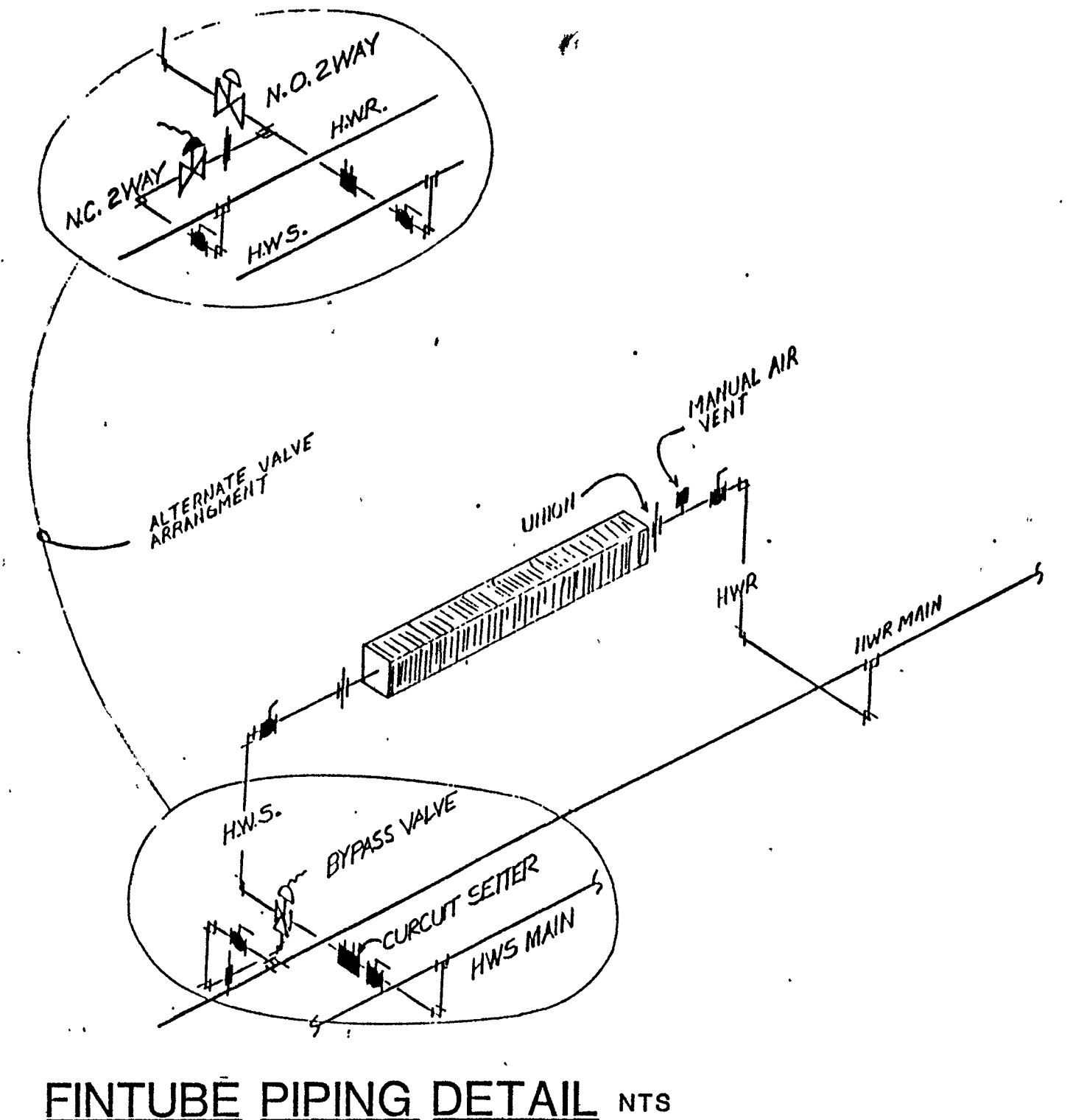
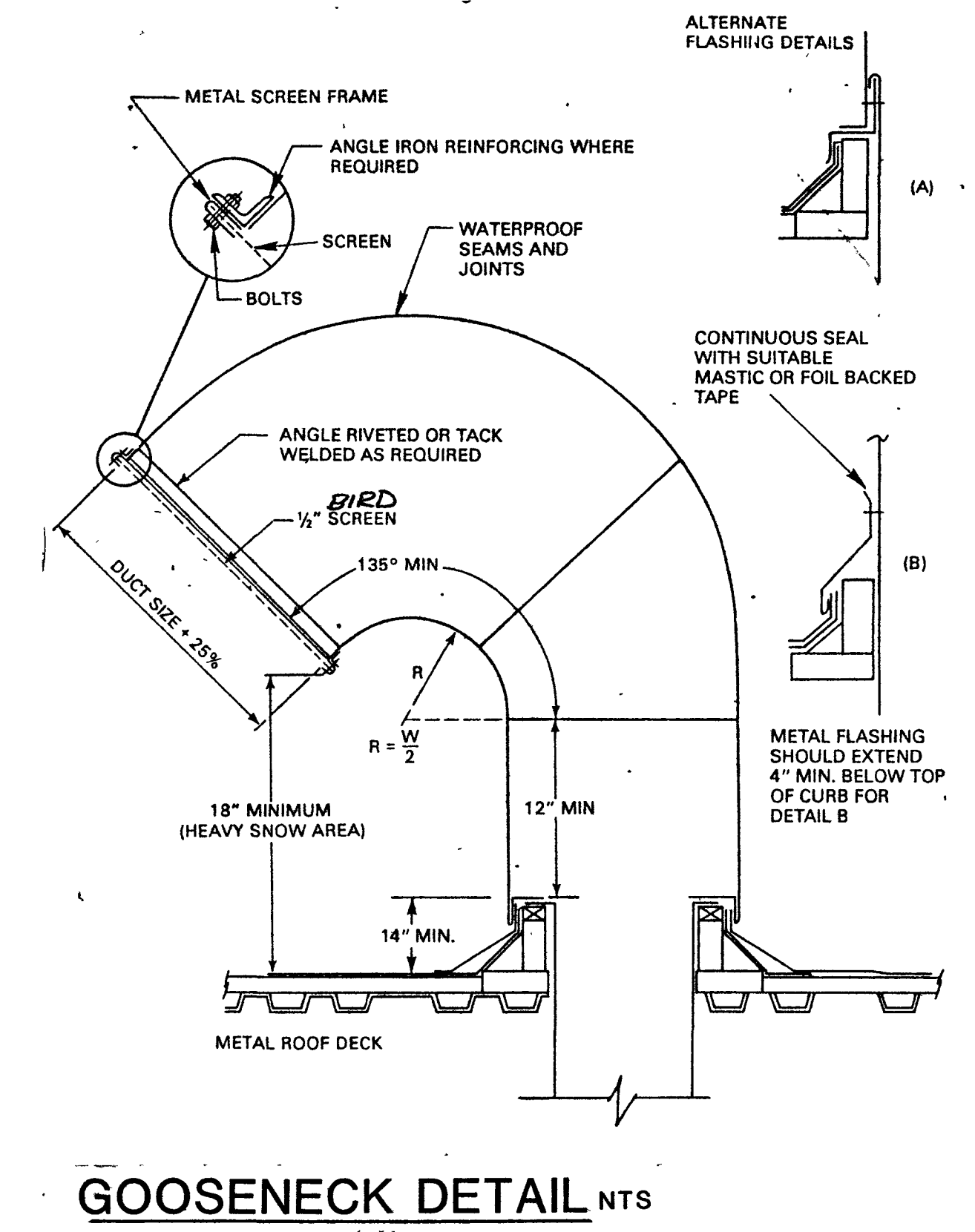
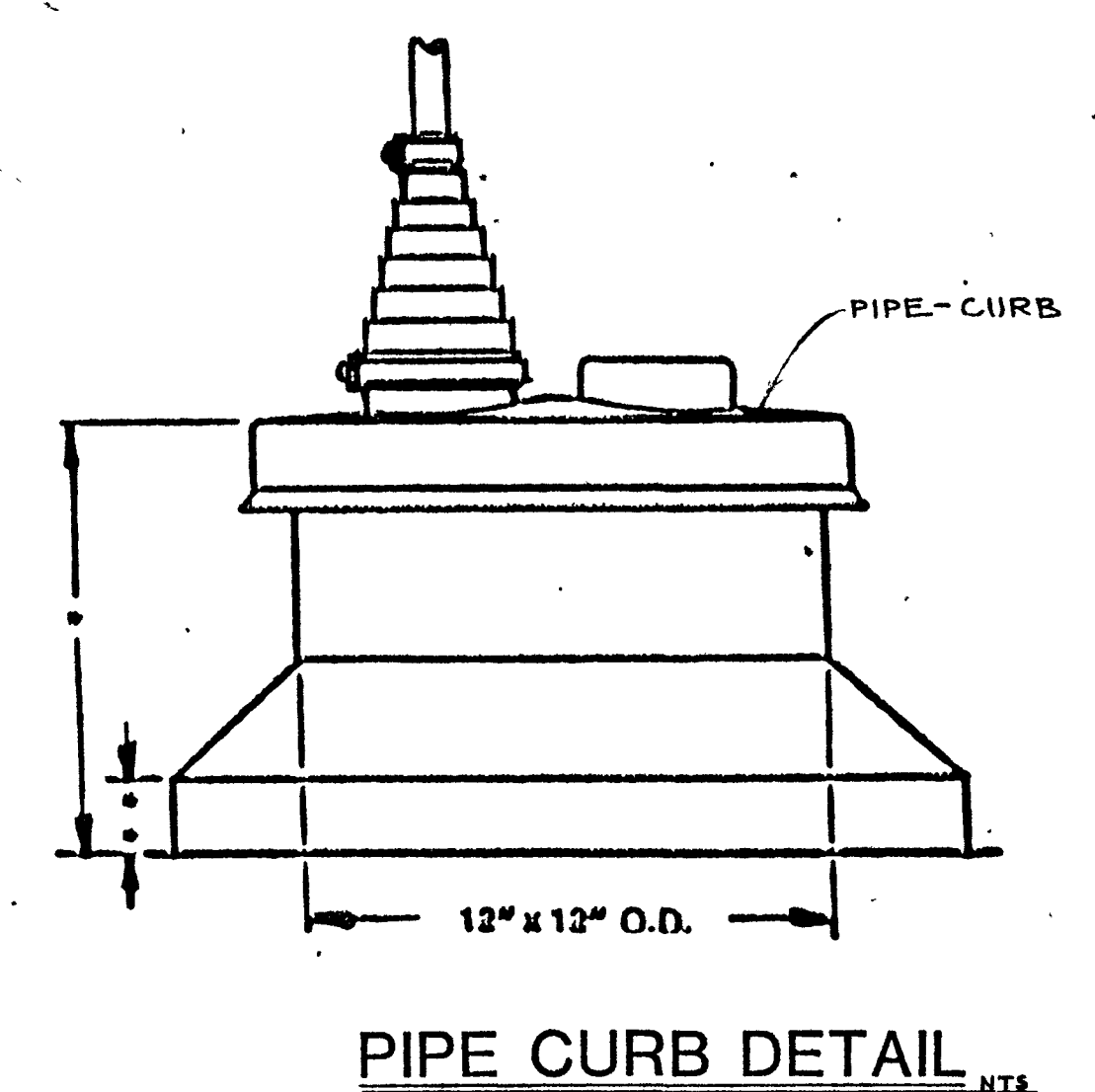
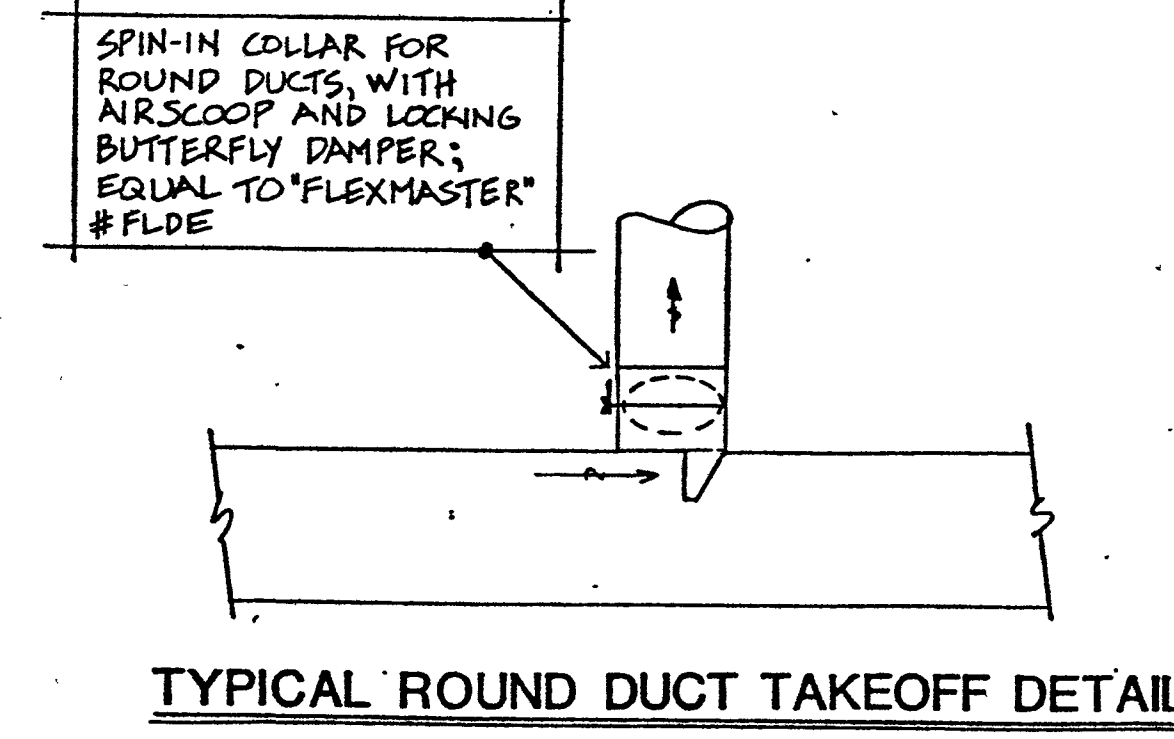


SHEET TITLE:
**SCHEDULES AND
DETAILS**

PROJECT NO: REVISIONS: SHEET NO.

DATE: **M-4**

PUMP SCHEDULE								
Pump #	Service	GPM	Head	HP	Motor Vlt-Phase-Hz	Section & Discharge	Model	Remarks
P-1	F & G	25	35	3/4	460-3-60	1 1/2"	1 1/2A	
P-2	B & C	45	39	1	460-3-60	1 1/2"	1 1/2A	
P-3	B & C	85	25	1	460-3-60	2"	2A	



VAV BOX SCHEDULE									
SYMBOL	MANUFACTURER	MODEL	INLET SIZE (INCHES)	CFM RANGE	S.P.	HEATING COIL			REMARKS
						ROWS	GPM	MBH	
VAV-1	TRANE	VCCD 17	10	0%	.10				
VAV-2	TRANE	VCHD 24	12	30-100%	.37	2	3.8	38	
VAV-3	TRANE	VCCD 17	10	0-100%	.12				
VAV-4	TRANE	VCCD 17	10	0-100%	.12				
VAV-5	TRANE	VCCD 24	12	0-100%	.11				
VAV-6	TRANE	VCHD 17	10	30-100%	.18	1	5.9	59	
VAV-7	TRANE	VCCD 17	10	0-100%	.12				
VAV-8	TRANE	VCCD 17	10	0-100%	.12				
VAV-9	TRANE	VCCD 17	10	0-100%	.12				
VAV-10	TRANE	VCHD 24	12	30-100%	.37	2	3.8	38	
VAV-11	TRANE	VCCD 11	8	0-100%	.08				
VAV-12	TRANE	VCCD 1100	8	0-100%	.06				
VAV-13	TRANE	VCCD 06	6	0-100%	.20				
VAV-14	TRANE	VCHD 24	12	30-100%	.36	2	3.5	35	
VAV-15	TRANE	VCHD 24	12	30-100%	.37	2	3.8	38	
VAV-16	TRANE	VCHD 17	10	30-100%	.29	2	6.7	67	
VAV-17	TRANE	VCHD 24	12	30-100%	.22	2	3.3	33	
VAV-18	TRANE	VCCD 03	5	0-100%	.15				
VAV-19	TRANE	VCHD 06	6	30-100%	.14	1	1.5	15	
VAV-20	TRANE	VCCD 03	5	0-100%	.16				
VAV-21	TRANE	VCHD 03	5	30-100%	.18	1	.4	4.1	
VAV-22	TRANE	VCCD 03	5	0-100%	.30				
VAV-23	TRANE	VCHD 03	5	30-100%	.18	1	.4	4.1	
VAV-24	TRANE	VCHD 11	8	30-100%	.30	2	2.2	22	
VAV-25	TRANE	VCCD 06	6	0-100%	.12				
VAV-26	TRANE	VCCD 06	6	0-100%	.17				
VAV-27	TRANE	VCCD 06	6	0-100%	.18				
VAV-28	TRANE	VCCD 03	5	0-100%	.06				
VAV-29	TRANE	VCCD 06	6	0-100%	.16				
VAV-30	TRANE	VCCD 03	5	0-100%	.33				
VAV-31	TRANE	VCCD 06	6	0-100%	.12				
VAV-32	TRANE	VCCD 03	5	0-100%	.27				
VAV-33	TRANE	VCCD 06	6	0-100%	.10				
VAV-34	TRANE	VCCD 06	6	0-100%	.10				

GRILL, REGISTER AND DIFFUSER SCHEDULE						
SYMBOL	MANUFACTURER	MODEL	PATTERN OR DEFLECTION	COLOR	MATERIAL	REMARKS
CD-1	AIR DEVICES INC	CAAA	2-SLOT LINEAR	WHITE	ALUMINUM	
CD-2	AIR DEVICES INC	CAAA	3-SLOT LINEAR	WHITE	ALUMINUM	
CD-3	AIR DEVICES INC	CAAA	4-SLOT LINEAR	WHITE	ALUMINUM	
CD-4	AIR DEVICES INC	SNT0	4-WAY HORIZONTAL	WHITE	STEEL	
TG-1 & RG-1	AIR DEVICES INC	EC-55	1/2 x 1/2 x 1/2 GRID RETURN	WHITE	ALUMINUM	
ER-1	AIR DEVICES INC	EC-550	1/2 x 1/2 x 1/2 GRID EXHAUST	WHITE	ALUMINUM	
RG-2	AIR DEVICES INC	DH	SINGLE DEFLECTION	WHITE	STEEL	

BASE BID HVAC EQUIPMENT SCHEDULE

AHU-1
FLOOR MOUNTED HORIZONTAL DRAW - THRU AIR HANDLING UNIT "FRANK" ARRANGEMENT 2 (TWO) FRONT LEFT SIDE MOTOR MOUNTING. PROVIDE SPRING ISOLATORS FAN CAPACITY: 17,500 CFM @ 3.65" T.S.P. @ 3.1" S.S.P. MOTOR: 25 H.P. 460 V/3 PHASE. TRANE CLIMATE CHANGER NO. 25 WITH MATCHING CONDENSATION FILTER (40%) MIXING BOX. MIXING BOX OPENINGS 90 DEGREES TOP AND BACK. DAMPERS TO BE FACTORY INSTALLED.

H.W. - COIL
405 MBH 17,500 CFM @ MAX .14 ATR PRESSURE DROP 40.6 GPM @ 3.9 WATER PRESSURE DROP. 100 DEGREES F ENTERING COIL AND 20 DEGREES F W.T.D.; 58 DEGREES F RAY AND 80 DEGREES F LAT. COIL TYPE: ONE ROW, WIDE, 80 FFF.

DX - COIL
480 MBH, 8 ROWS 1.84 APD @ MUST MATCH CONDENSING UNIT. 17,053 CFM 50.2 DEGREES F. DB LAT AND 50.1 DEGREES F WB LAT.
MANUFACTURER'S: CARRIER, MCQUAY, TRANE, ETC.

AHU-2
FLOOR MOUNTED HORIZONTAL DRAW - THRU AIR HANDLING UNIT "FRANK" ARRANGEMENT 2 (TWO) FRONT LEFT SIDE MOTOR MOUNTING. PROVIDE SPRING ISOLATORS FAN CAPACITY: 14,500 CFM @ 3.1" T.S.P. @ 2.0" S.S.P. MOTOR: 20 H.P. 460 V/3 PHASE. TRANE CLIMATE CHANGER NO. 25 WITH MATCHING CONDENSATION FILTER (40%) MIXING BOX. MIXING BOX OPENINGS 90 DEGREES TOP AND BACK. DAMPERS TO BE FACTORY INSTALLED.

H.W. - COIL
371 MBH 14,500 CFM @ MAX .09 ATR PRESSURE DROP 37.1 GPM @ 3.3 WATER PRESSURE DROP. 100 DEGREES F ENTERING COIL AND 20 DEGREES F W.T.D.; 58 DEGREES F RAY AND 82 DEGREES F LAT. COIL TYPE: ONE ROW, WIDE, 80 FFF.

DX - COIL
480 MBH, 8 ROWS 1.67 APD @ MUST MATCH CONDENSING UNIT. 14,500 CFM 50 DEGREES F. DB LAT AND 49.5 DEGREES F WB LAT.
MANUFACTURER'S: CARRIER, MCQUAY, TRANE, ETC.

A/C #1 & A/C #2
AIR COOLED CONDENSING UNIT 40 TON NOMINAL RATED COOLING CAPACITY. 35 TON GROSS COOLING CAPACITY AT 55 DEGREES F OUTSIDE AIR ENTRENCHING CONDENSER COIL.
FURNISHED WITH CONTROLS TO STAGE COMPRESSORS MODULATE HOT GAS AND BYPASS TO MATCH VAV SYSTEM COOLING LOAD WITHOUT COIL FREEZING.
"FRANK" MODEL RAUC-C40
MANUFACTURER'S: CARRIER, MCQUAY, TRANE, ETC.

RETURN FAN #1
16,450 CFM @ 1.63 INCHES W.G. STATIC PRESSURE. 10 H.P. 1150 RPM. FOR EXTRA QUIET OPERATION. SERVING AHU-1. TRANE MODEL "Q" FAN" SIZE 36, ARRANGEMENT 89.

RETURN FAN #2
9500 CFM @ 1.57 INCHES W.G. STATIC PRESSURE. 5 H.P. 1500 RPM. FOR EXTRA QUIET OPERATION. SERVING AHU-2. TRANE MODEL "Q" FAN" SIZE 27, ARRANGEMENT 89.

RETURN FAN #3
4350 CFM @ 1.8 INCHES W.G. STATIC PRESSURE. 3 H.P. 2000 RPM. FOR EXTRA QUIET OPERATION. SERVING AHU-3. TRANE MODEL "Q" FAN" SIZE 19, ARRANGEMENT 89.

EXHAUST FAN
ROOF EXHAUSTER DIRECT DRIVE WITH WEATHER & PROOF CAP. CAPACITY 1085 CFM @ .375" SP MOTOR: 1/4 H.P. 1750 RPM.
"PENN" MODEL AQ 10
FAN TO BE INSTALLED ON SOUND ATTENUATING CURB WITH BACK DRAFT DAMPER.

UNIT HEATER
HOT WATER HORIZONTAL DISCHARGE. 39.2 MBH 3.9 GPM, .82 W.P.F. 100 DEGREES F HW, 60 DEGREES F S.A.T. 1000 CFM MOTOR: 1/8 H.P. 1550 RPM
"TRANE" MODEL "S" 78-W2

BASEBOARD RADIATOR
TEN (10) INCHES HIGH, FOUR (4) INCHES DEEP WALL MOUNTED, 16 GAUGE STEEL ENCLOSURE.
TOP DISCHARGE WITH EXTRUDED GRILLE. CAPACITY AS SHOWN ON DRAWING. FURNISH WITH RIBBED STEEL ENCLOSURE BRACKETS ELEMENT SUPPORT BASE AND CRADLES AND NYLON CRADLE GUIDES.
"TRANE" MODEL 10 TA. STANDARD COLOR WILL BE SELECTED BY ARCHITECT.

BOILERS (two)
CAST IRON GAS FIRED HYDROVIC BOILER WITH BUILD IN DRAFT HOOD WITH REAR OUTLET. QUICK RECOVERY. DESIGNED FOR MAXIMUM 30" PSZ OPERATING PRESSURE. PROVIDE THERMOMETER AND ALTITUDE GAUGE, ASME RATED RELIEF VALVE AUTOMATIC ELECTRIC GAS VALVE ELECTRONIC INTERMITTENT PILOT AND SAFETY CONTROLS GAS PRESSURE REGULATORS, HIGH LIMIT AQUA STAT LOW WATER CUT OFF. MANUAL GAS SHUT OFF VALVE AND DRAFT DIVERTER.
CAPACITY: 780 MBH INPUT, 616 MBH OUTPUT EACH BOILER.
"BURNHAM" SERIES 58 MODEL NUMBER K-5011-B
FLUE DIAMETER 9" DIAMETER EACH.

1111
5222
333
444
555
666
777
888
999
000

T
B
G
a
b
c