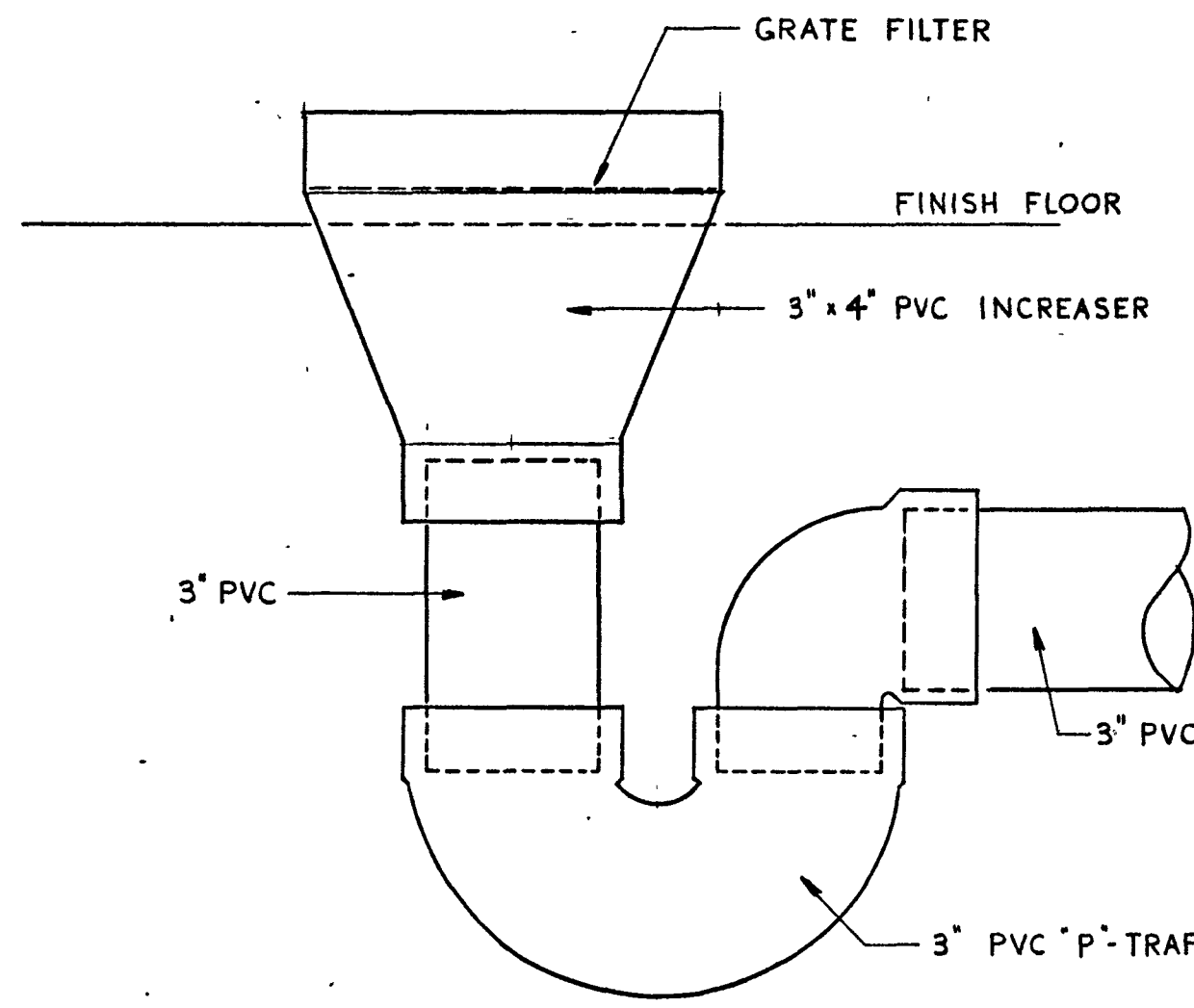
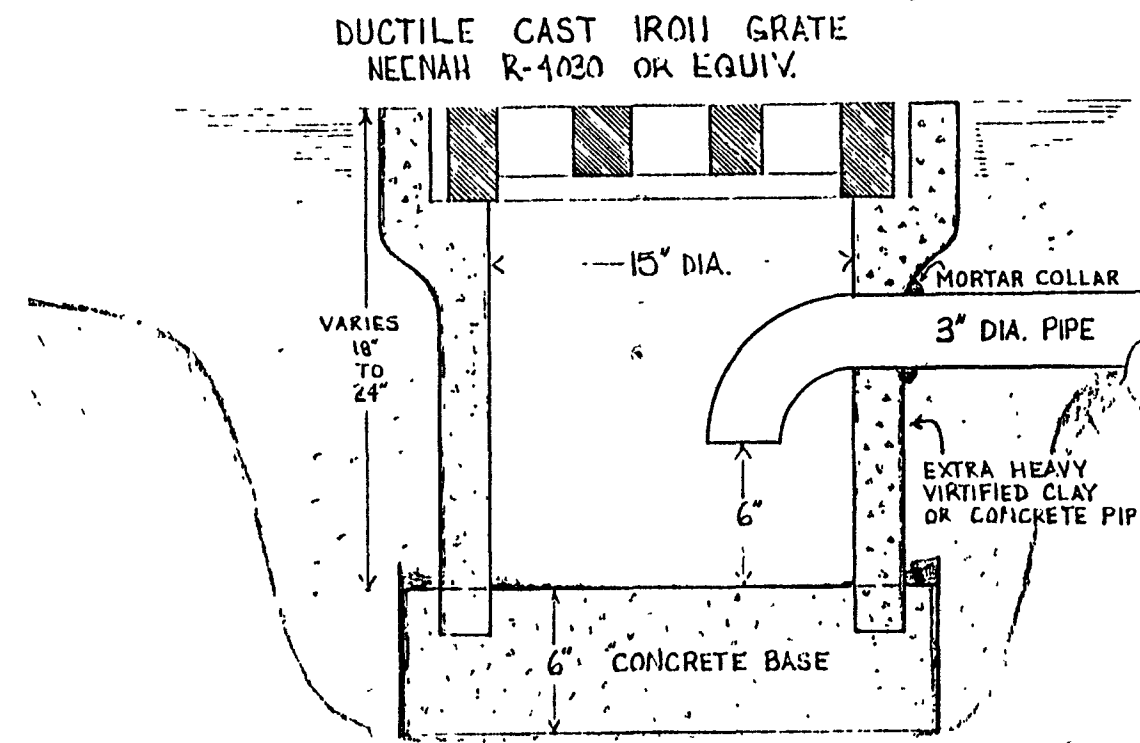
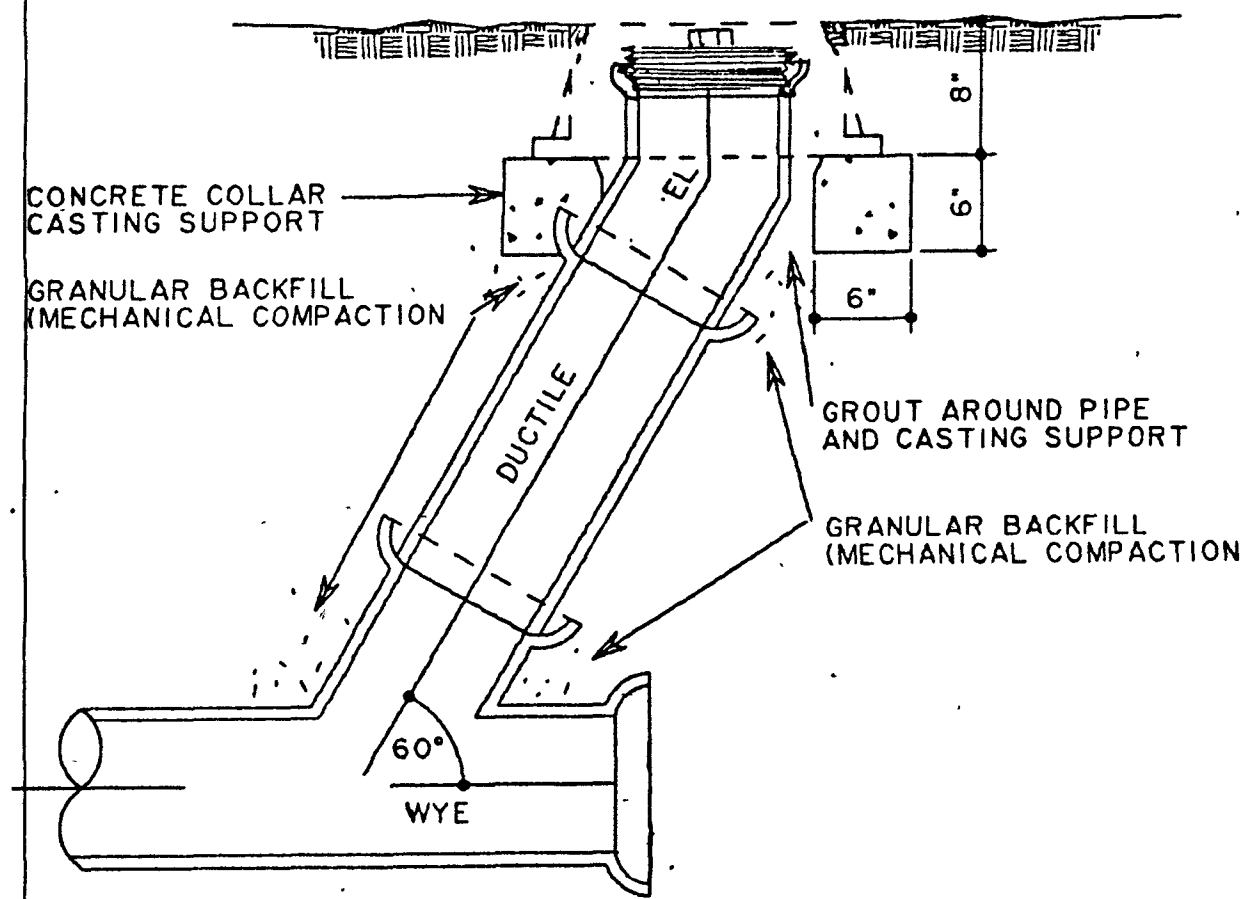


PLUMBING EQUIPMENT

WHH- STATE TURBO SANDBLASTER MODEL SBT50-65NE. 50 GALLON STORAGE CAPACITY, 65,000 BTU PER HOUR INPUT. 61 GALLON RECOVERY AT 100° RISE. SUPPLIED WITH A.S.M.E. RATED TEMPERATURE AND PRESSURE RELIEF VALVE.

MV-1 POWERS MIXING VALVE TYPE 431 #431-1085 ROUGH BRASS FINISH.

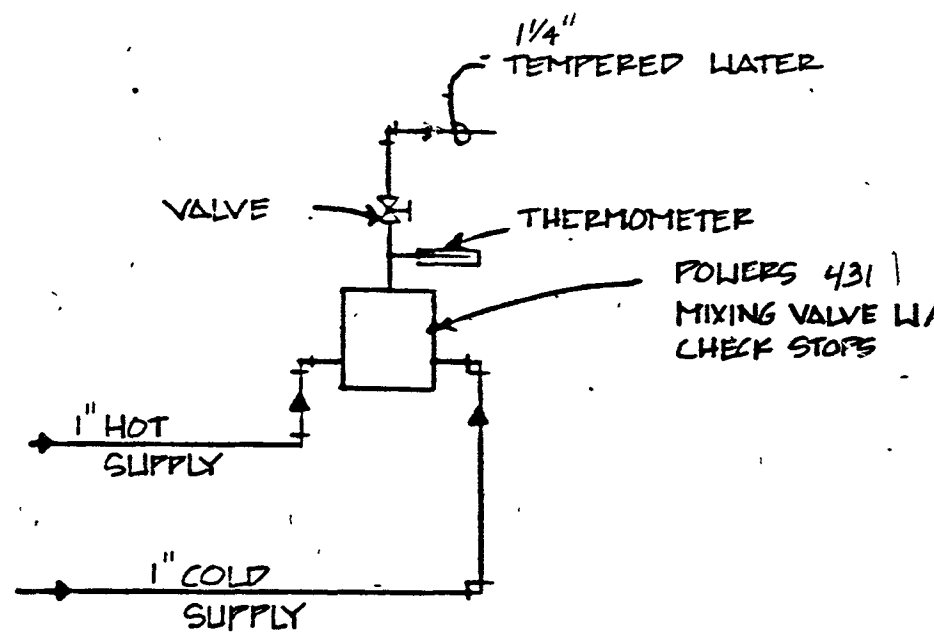


4 P-3 AREA DRAIN SUMP DETAIL NTS

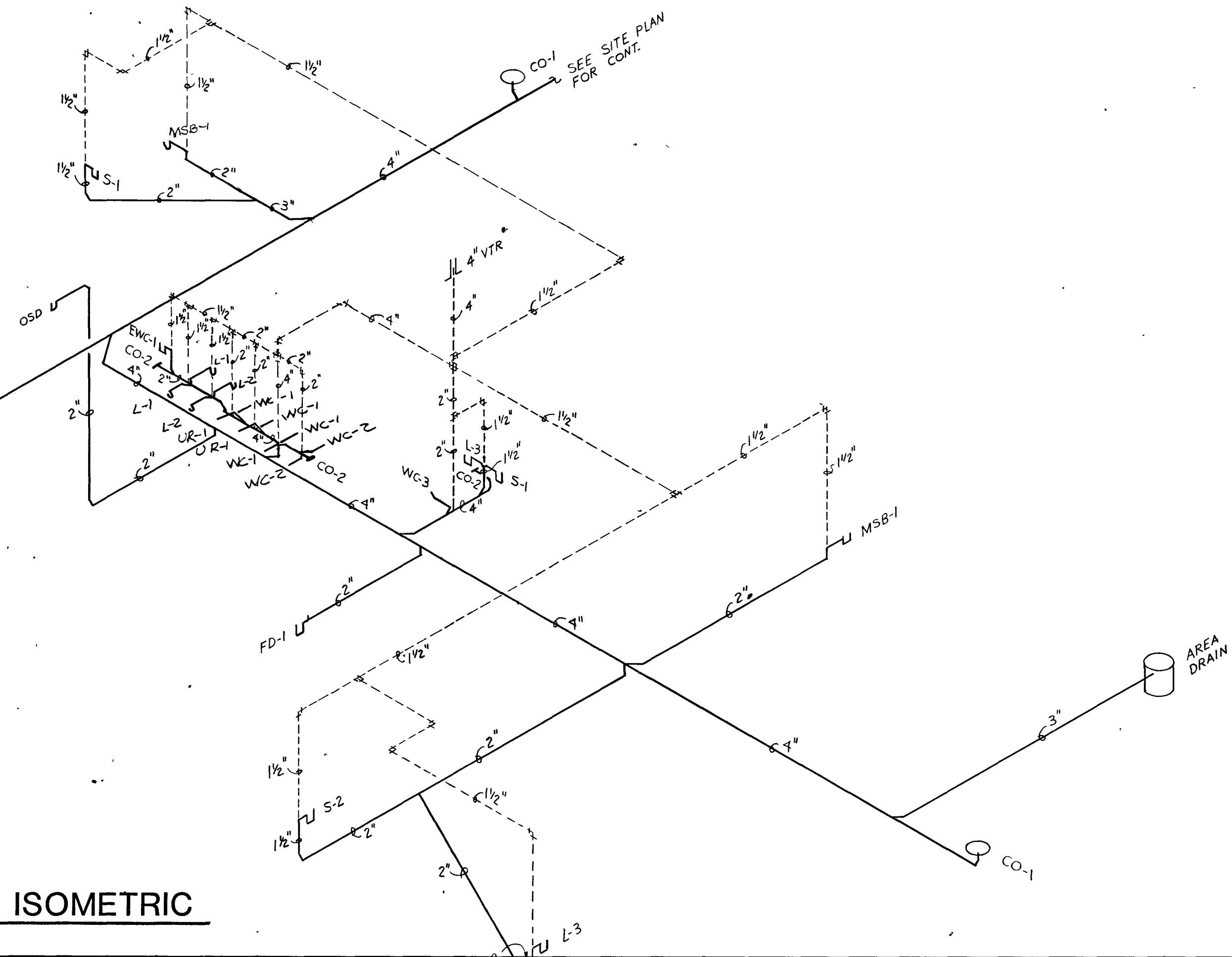
FIXTURE	MANUFACTURER	FIXTURE MODEL	TRIM	CONNECTIONS			COLOR	REMARKS
				W	V	HW/CW		
WC-1	AMERICAN STANDARD	AF WALL 2477.016	SLOAN 110-3 OLSONITE #95	4"	2"	1"	WHITE	WITH CHAIR CARRIERS-WALL HUNG
WC-2	AMERICAN STANDARD	AF WALL 2477.016	SLOAN 110-3 OLSONITE #95	4"	2"	1"	WHITE	SAME AS WC-1 EXCEPT MOUNTED 18" AFF
WC-3	AMERICAN STANDARD	CADET 2108.408	OLSONITE #95 WITH COVER	4"	2"	1/2"	WHITE	
WC-4	AMERICAN STANDARD	GLENWALL 2093.631	OLSONITE #95 WITH COVER	4"	2"	1/2"	WHITE	WALL HUNG - PROVIDE CARRIERS
L-1	AMERICAN STANDARD	BY ARCH 2103.927	HERITAGE 110-3 OLSONITE #95	1 1/2"	1 1/2"	1/2"	WHITE	WITH POP-UP DRAIN, 1 1/2" TAR PIECE CROME FINISH. PROVIDE P-TRAP AND ANGLE STOP.
L-2	AMERICAN STANDARD	BY ARCH 2103.620	HERITAGE 110-3 OLSONITE #95	1 1/2"	1 1/2"	1/2"	WHITE	WITH POP-UP DRAIN, 1 1/2" TAR PIECE CROME FINISH. PROVIDE P-TRAP AND ANGLE STOP.
L-3	AMERICAN STANDARD	REGALYN 4869.012	HERITAGE 2103.927	1 1/2"	1 1/2"	1/2"	WHITE	
L-4	AMERICAN STANDARD	9140.013	HERITAGE 2238.129	1 1/2"	1 1/2"	1/2"	WHITE	AMERICAN STANDARD 7723.018 DRAIN ASSEMBLY. RIM TO BE AT 27" AFF
S-1	ELKAY	LR-2522	CHICAGO 1201 FAUCET	1 1/2"	1 1/2"	1/2"	STAINLESS STEEL	186A 3-HOLE SINGLE COMPARTMENT SINK, LR-35 STRAINER AND TAIL PIECE C.D. P-TRAP W/CO
S-2	ELKAY	BCH-15		1 1/2"	1 1/2"	1/2"	STAINLESS STEEL	INCLUDES LR-2447 FAUCET AND LR-58 STRAINER. PROVIDE P-TRAP W/CO
UR-1	AMERICAN STANDARD	6501.010	SLOAN ROYAL 186	2"	1 1/2"	3/4"	WHITE	FLOOR MOUNTED CARRIER-MOUNT AT 24" AFF
EWC-1	OASIS	OPF8WF		1 1/2"	1 1/2"	3/8"	BY ARCH	8 GPH 50° F WATER @ 90° AMBIENT 80° INLET WATER-HANDICAP ACCESSIBLE
EWC-2	OASIS	ODF5M		1 1/2"	1 1/2"	3/8"	BY ARCH	4.6 GPH of 50° F WATER @ 90° ROOM TEMP 80° F INLET
FD-1	JOSAM	30500-5A 2-50						PIPE SIZE AS SHOWN ON DWG'S 1/2" TRAP PRIMER CONNECTION IF REQ'D ON DWG'S
CO-1	JOSAM	56050-2						CAST IRON BODY FLOOR CO WITH BRONZE TOP AND CO CAST IN TOP
CO-2	JOSAM	58890						BRONZE THREADED PLUG W/S.S. COVER
MSB	FIAT	MSB 2424	FIAT #830-AA FAUCET	3"	1 1/2"	3/4" 3/4"	WHITE	FAUCET WITH VACUUM BREAKER PROVIDE FIAT #832-AA HOSE AND BRACKET. #889-CC MOP HANGER, S-77-AA VINYL BUMPERGUARD ON EXPOSED EDGES
OSD-1	SEE DETAIL							
HB-1	WOODFORD	MODEL 65	SHIELD IN VACUUM BREAKER					POLISHED CROME-PLATED FINISH
HB-2	WOODFORD	MODEL 21P	NIDEL VACUUM BREAKER #34H					
RD	JOSAM	21000						
ORD								SAME AS ABOVE EXCEPT WITH 2" OVERFLOW COLLAR

1 P-3 ROD-OUT DETAIL NTS

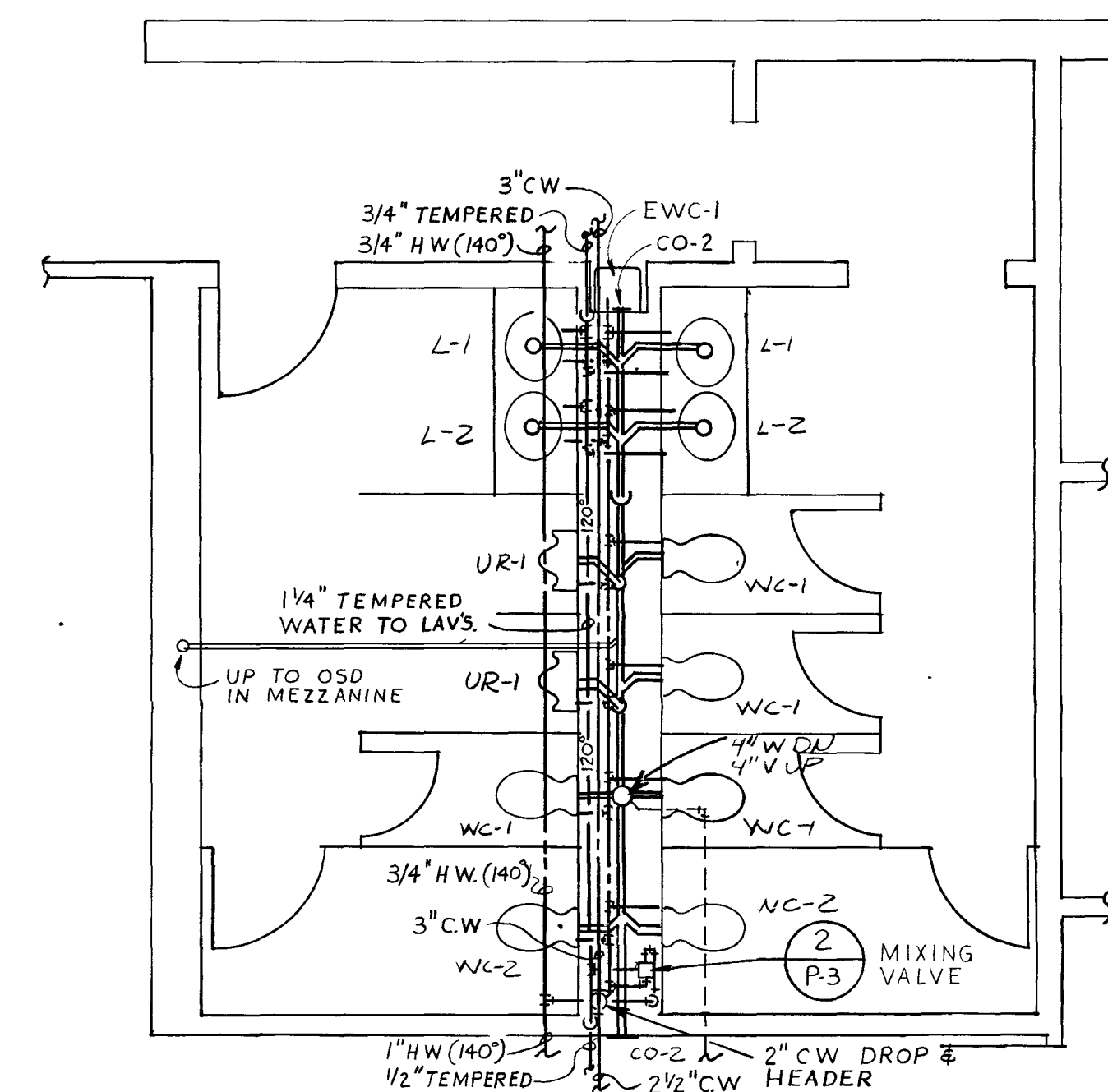
OPEN SITE DRAIN DETAIL NTS



2 P-3 MIXING VALVE DETAIL NTS



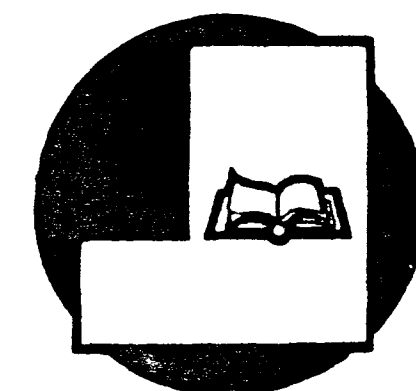
SANITARY ISOMETRIC NTS



ENLARGED RESTROOM PLUMBING PLAN SCALE 1/4"=1'-0"

NOTES:

NEW FACILITY FOR BLUFFTON - WELLS COUNTY PUBLIC LIBRARY BLUFFTON, INDIANA 46714



SHEET TITLE: DETAILS & SCHEDULES

PROJECT NO. 88-1207 REVISIONS: DATE: 6-20-90 SHEET NO. P-3