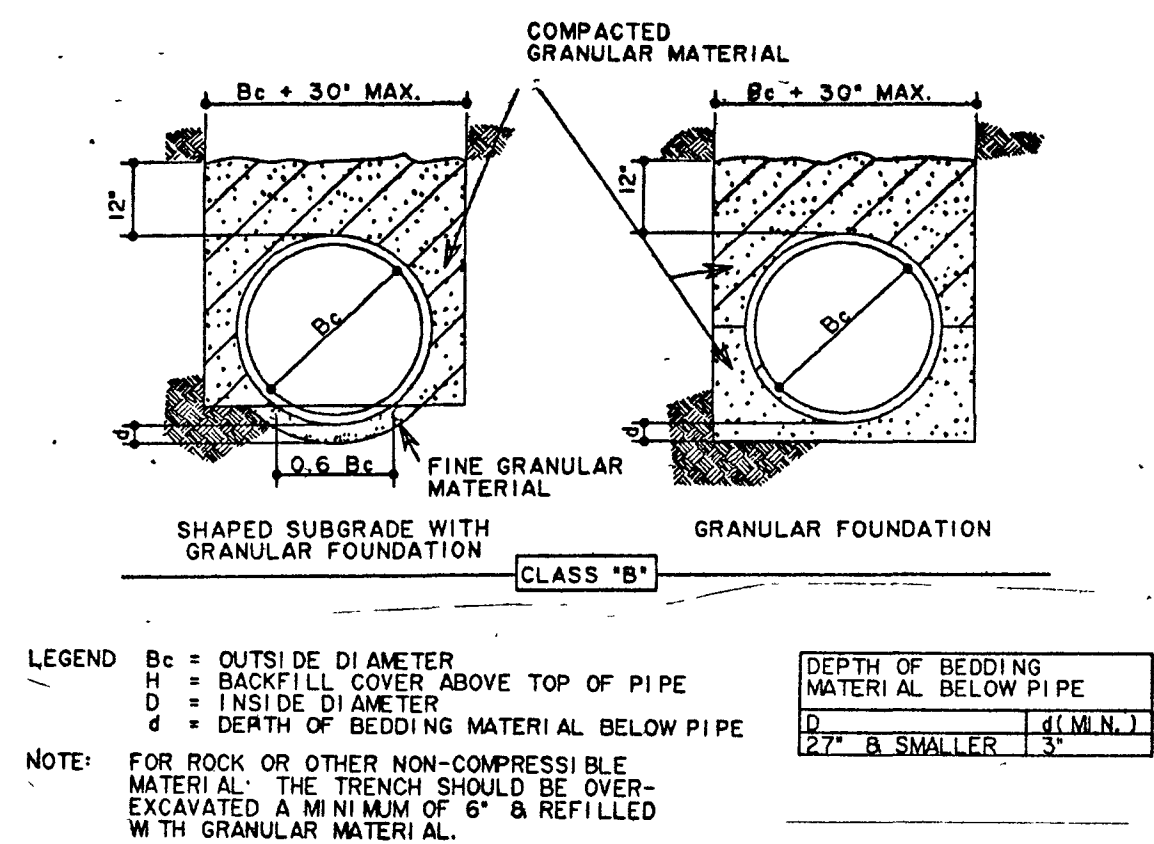
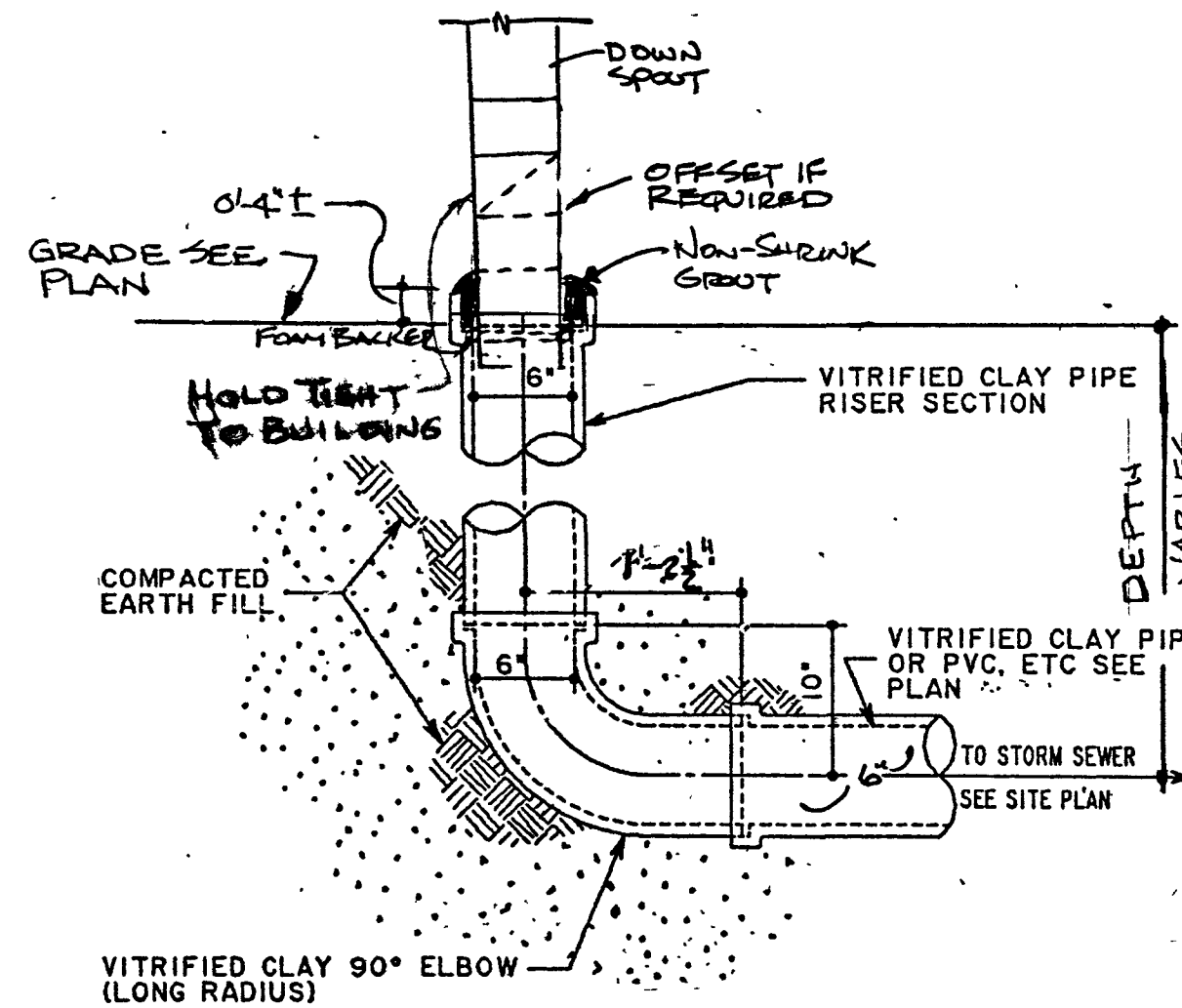


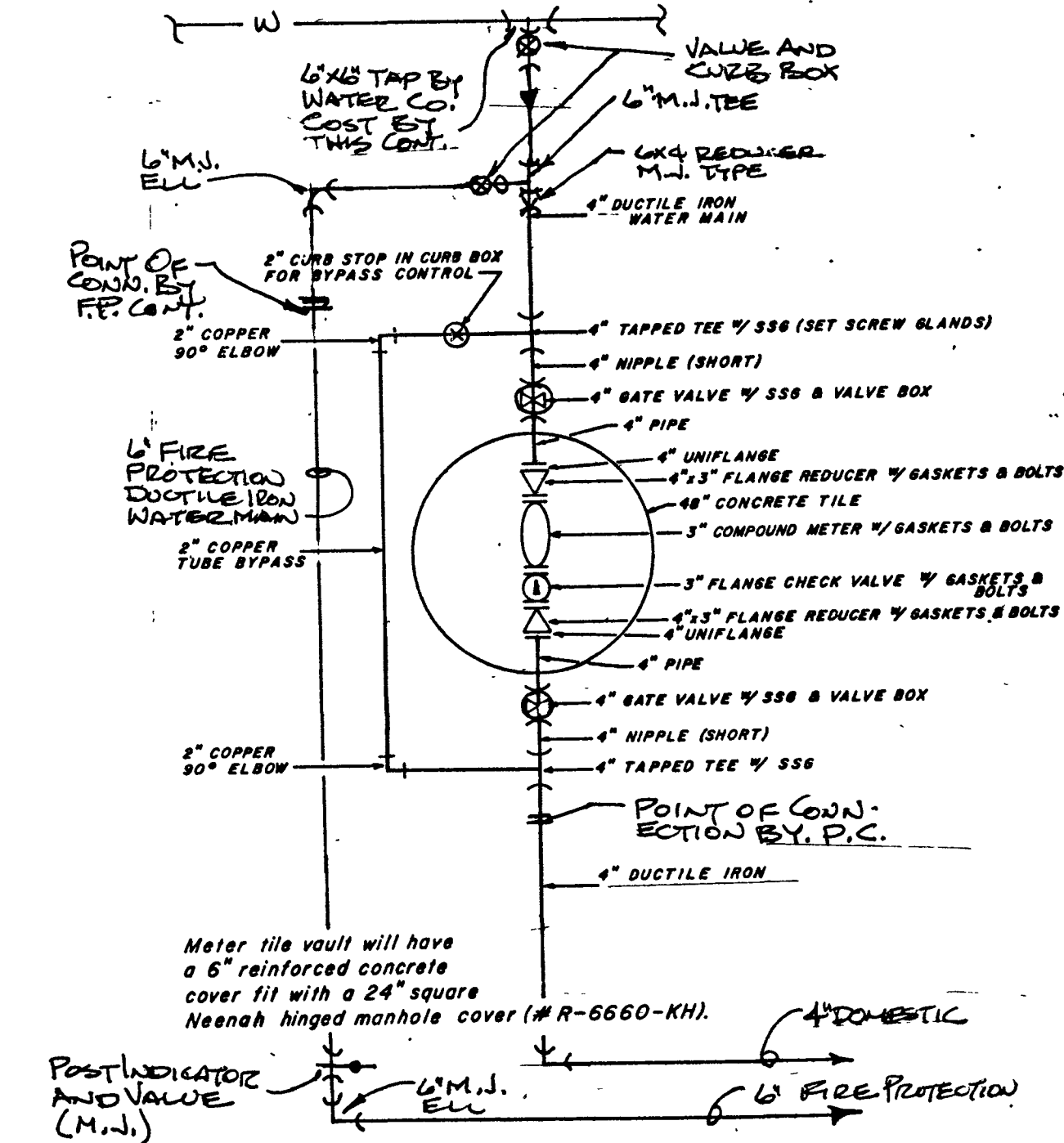
**4 YARD DRAIN TYPE 2 NTS**  
 U-1



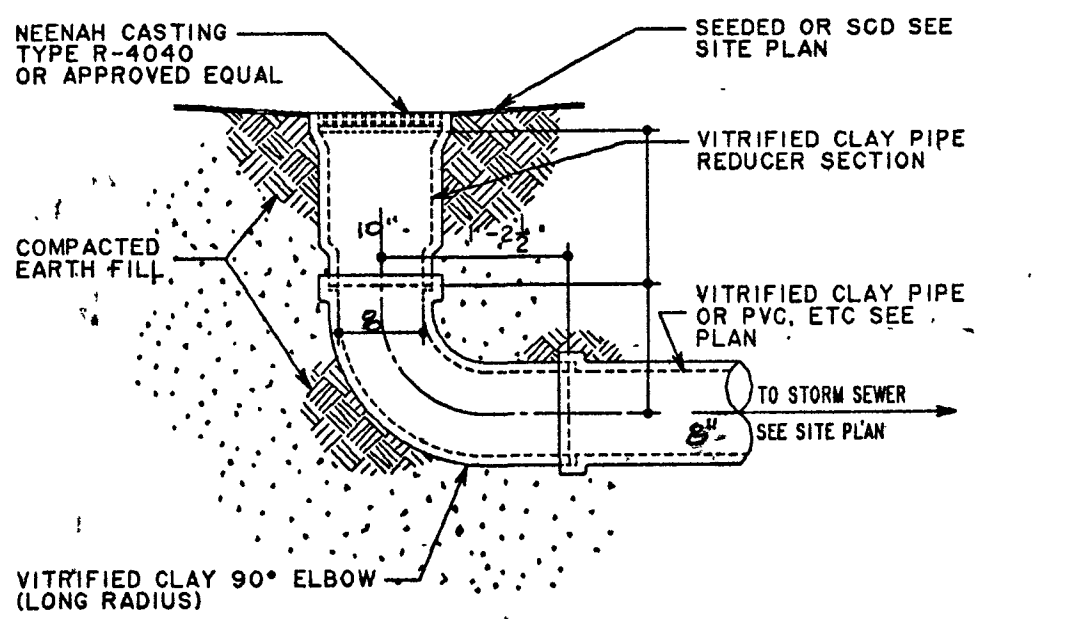
**5 PIPE BEDDING DETAIL NTS**  
 U-1



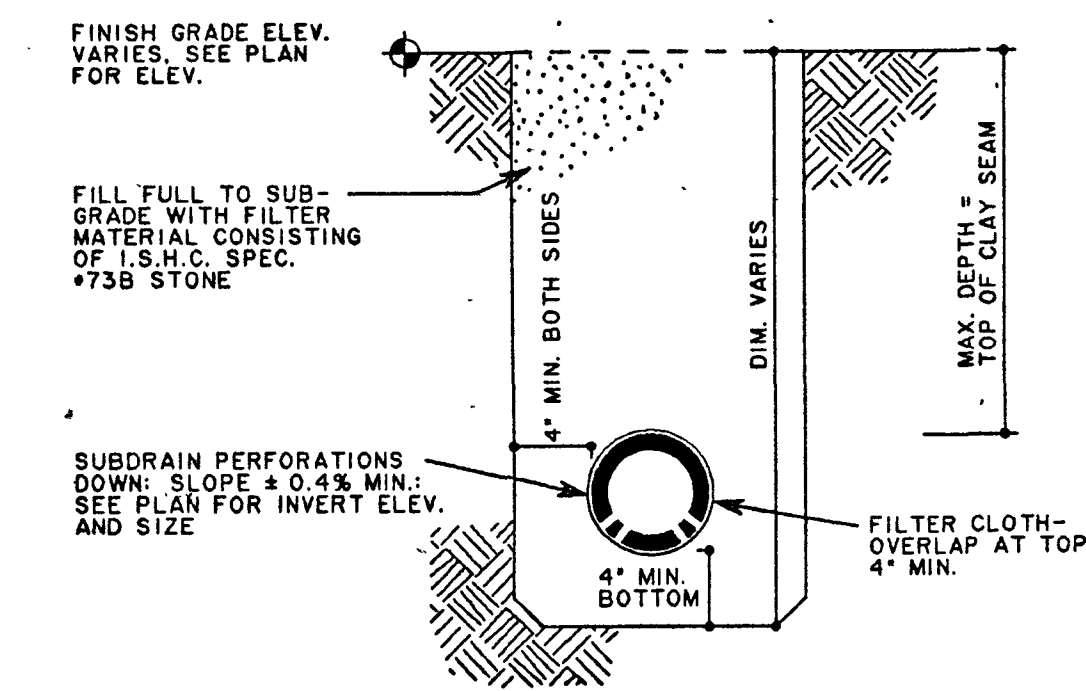
**6 DOWN SPOUT DETAIL NTS**  
 U-1



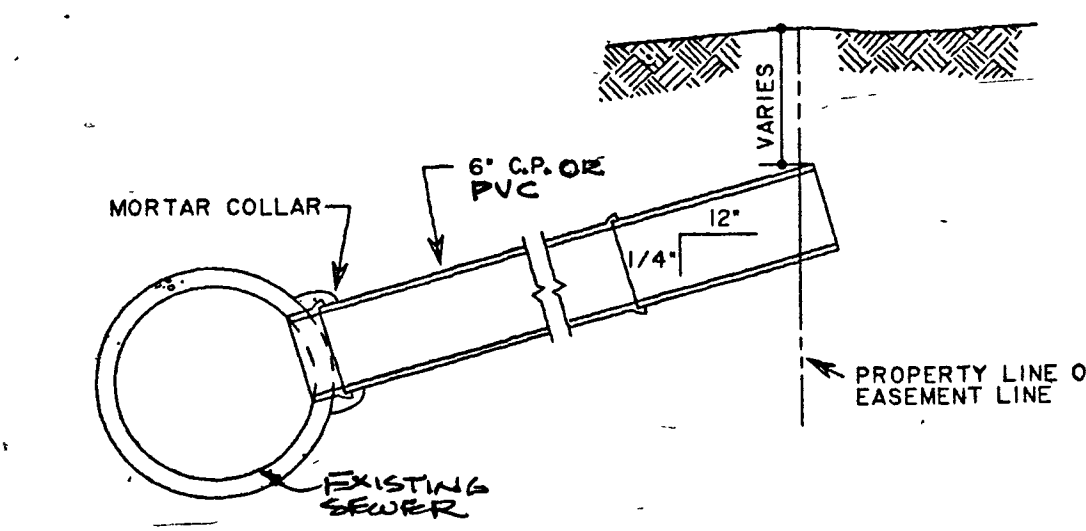
**7 WATER SERVICE/METER VAULT SCHEMATIC NTS**  
 U-1



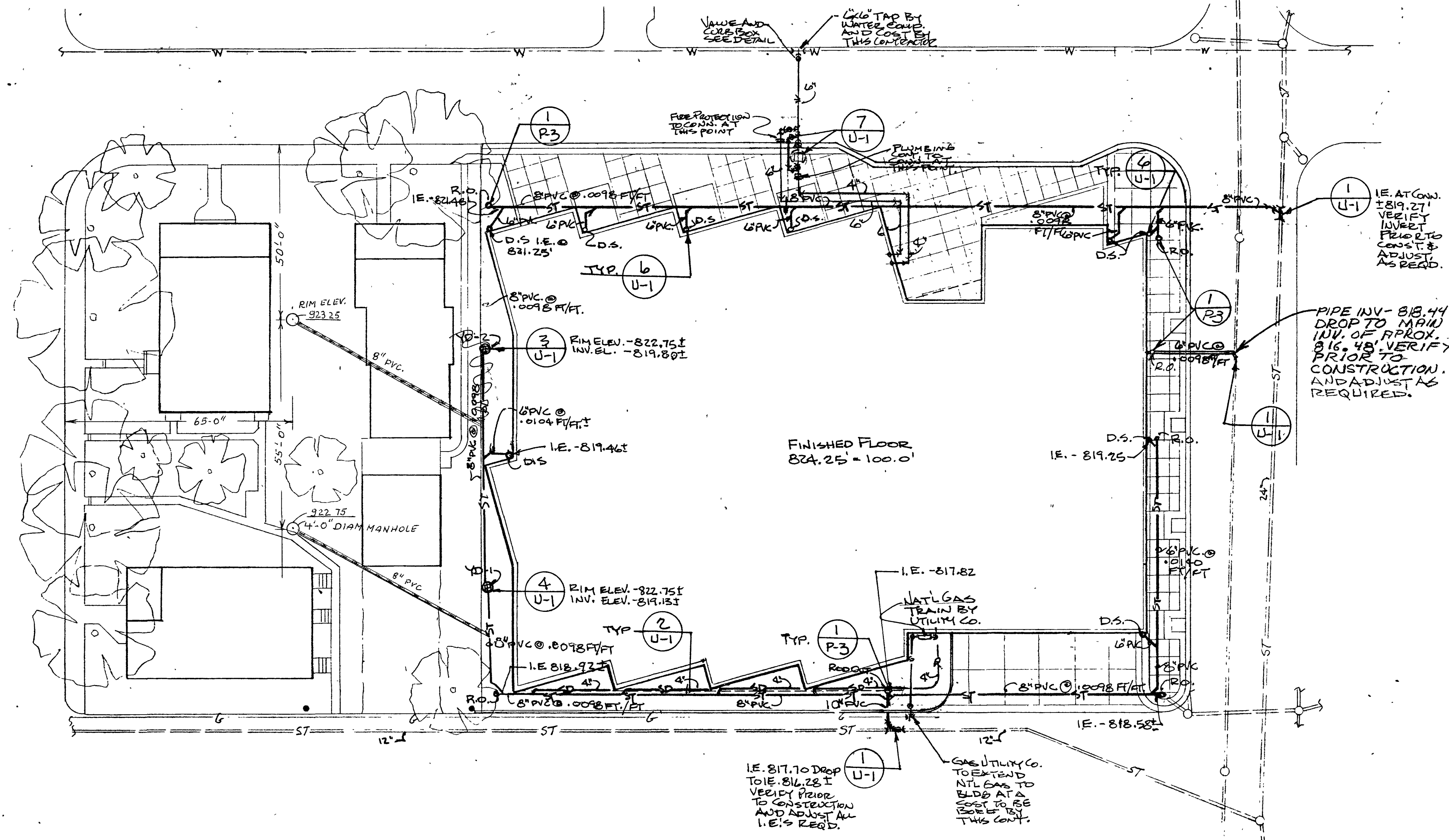
**3 YARD DRAIN TYPE 1 NTS**  
 U-1



**2 SUBDRAIN DETAIL NTS**  
 U-1



**1 SEWER TAP DETAIL NTS**  
 U-1



**UTILITY SITE PLAN SCALE 1"=20'-0"**

NOTES:

**NEW FACILITY FOR BLUFFTON - WELLS COUNTY PUBLIC LIBRARY**  
 BLUFFTON, INDIANA 46714



SHEET TITLE:  
**UTILITY SITE PLAN**

PROJECT NO. REVISIONS: SHEET NO.

DATE: **U-1**

1111  
 5222  
 333  
 444  
 555  
 666  
 777  
 888  
 999  
 000