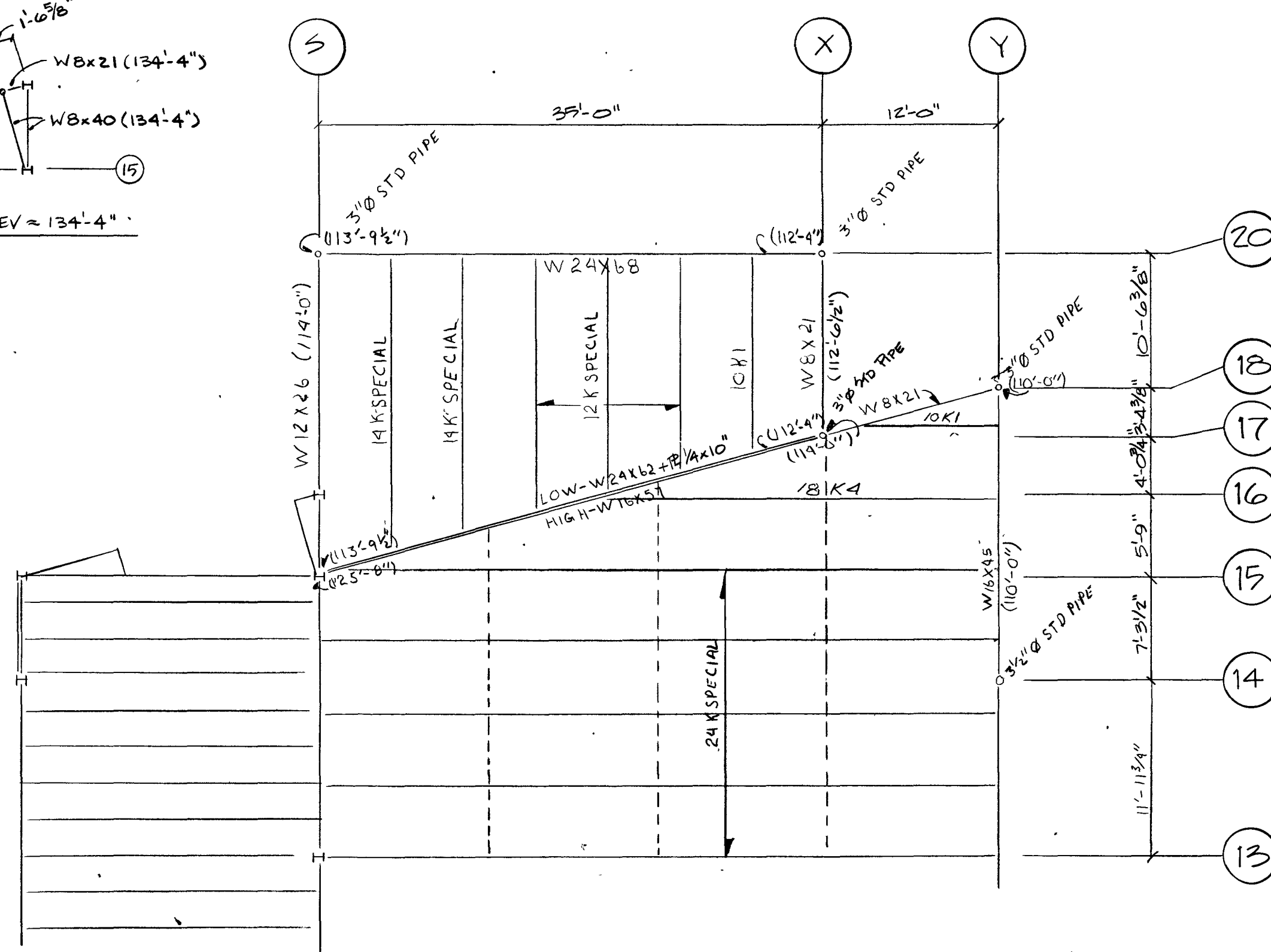
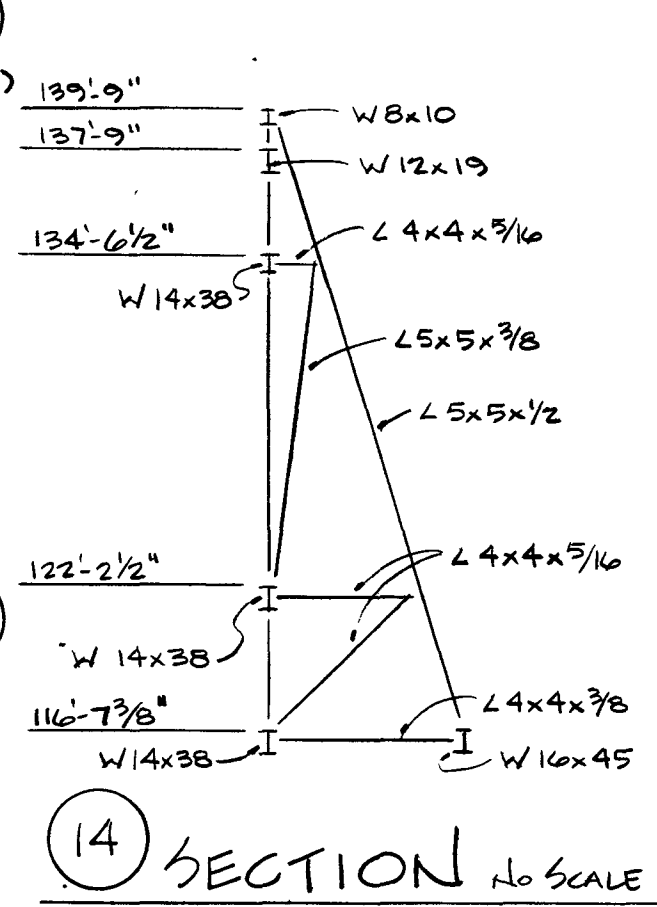
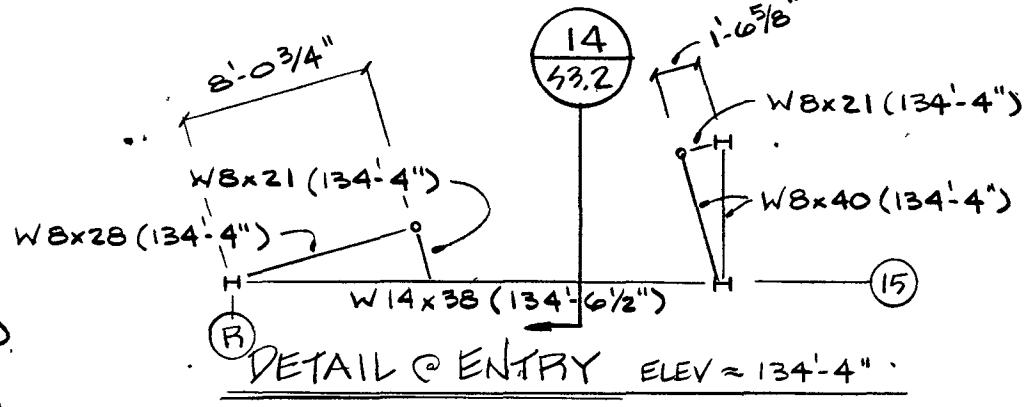
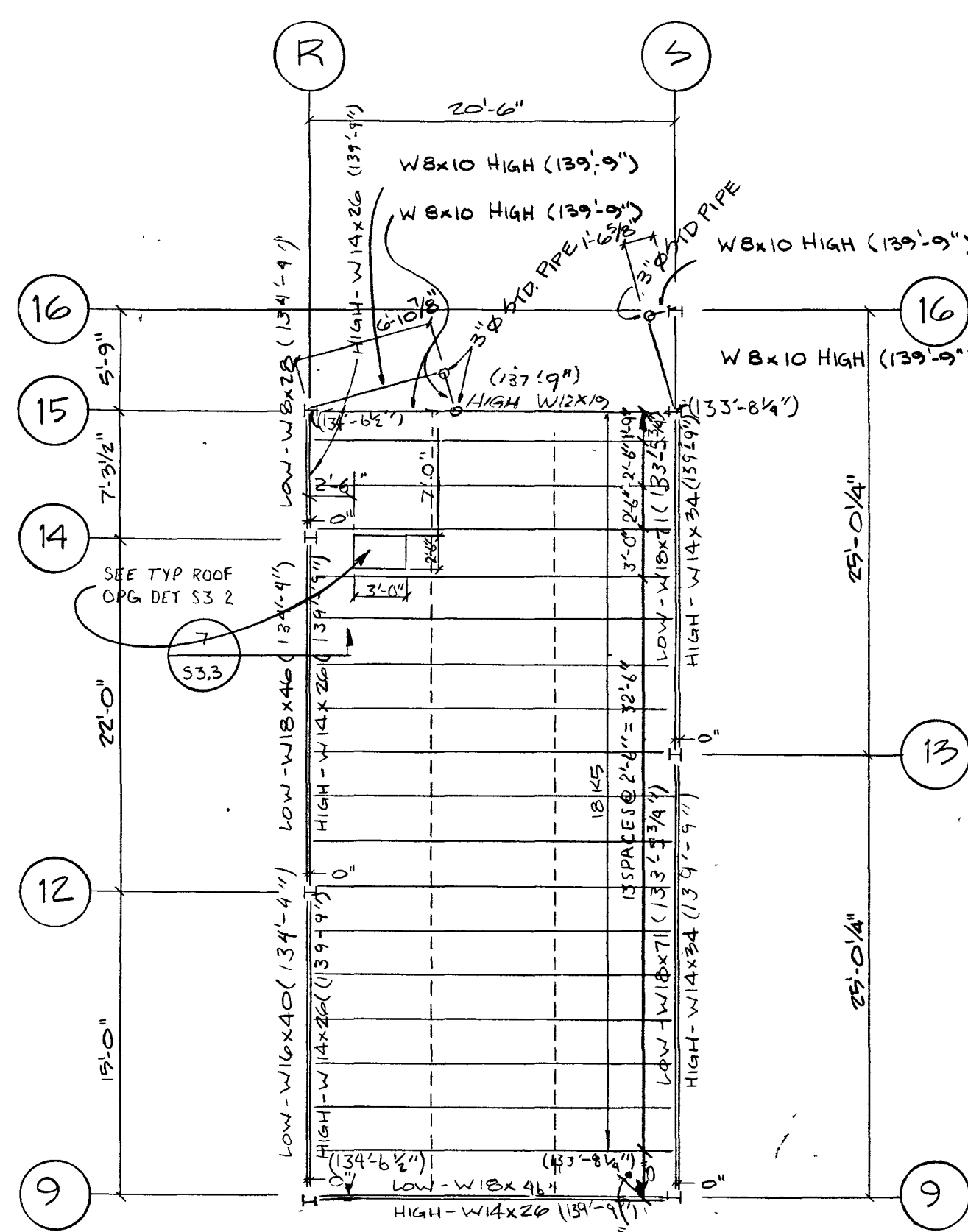
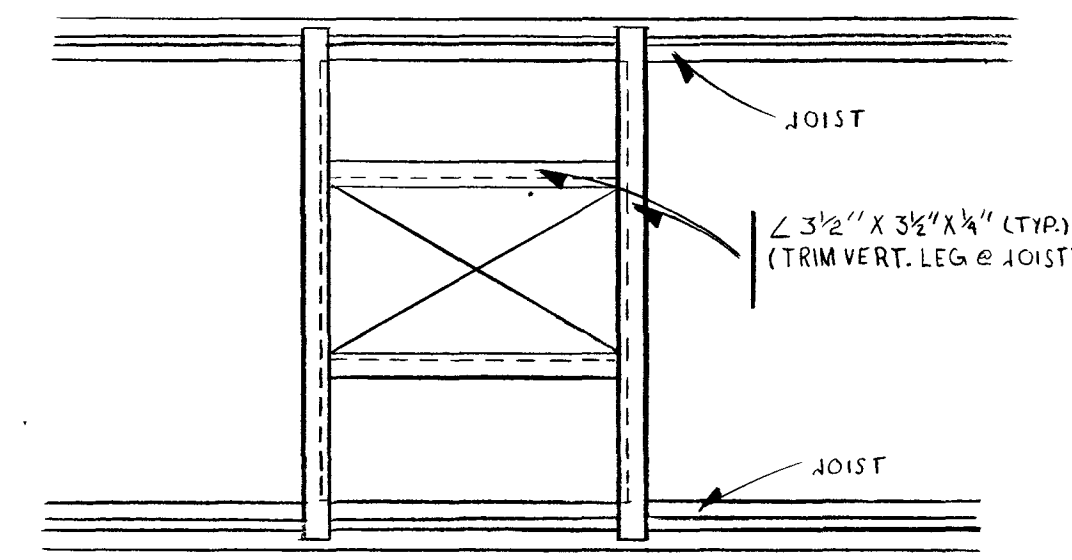
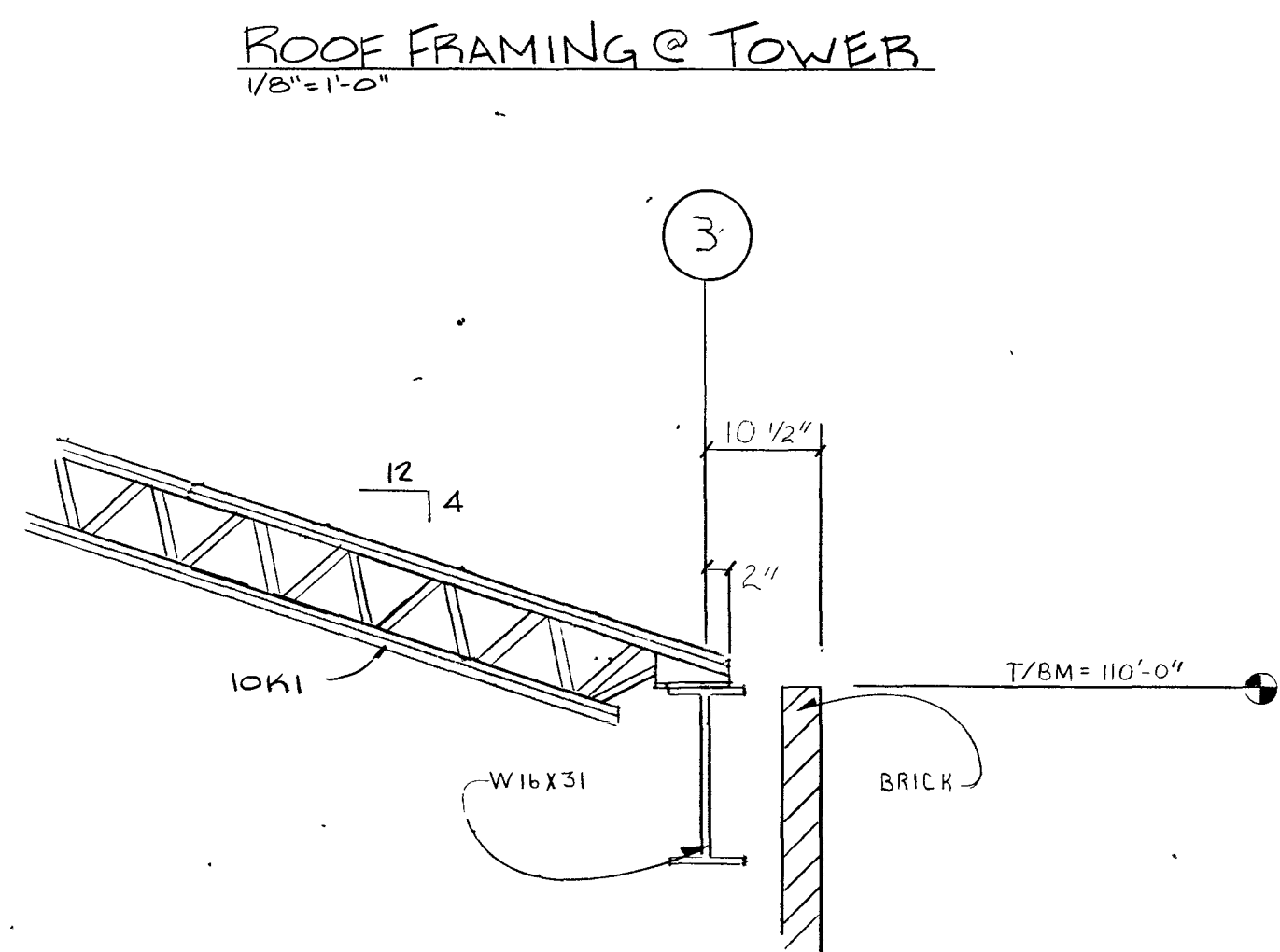


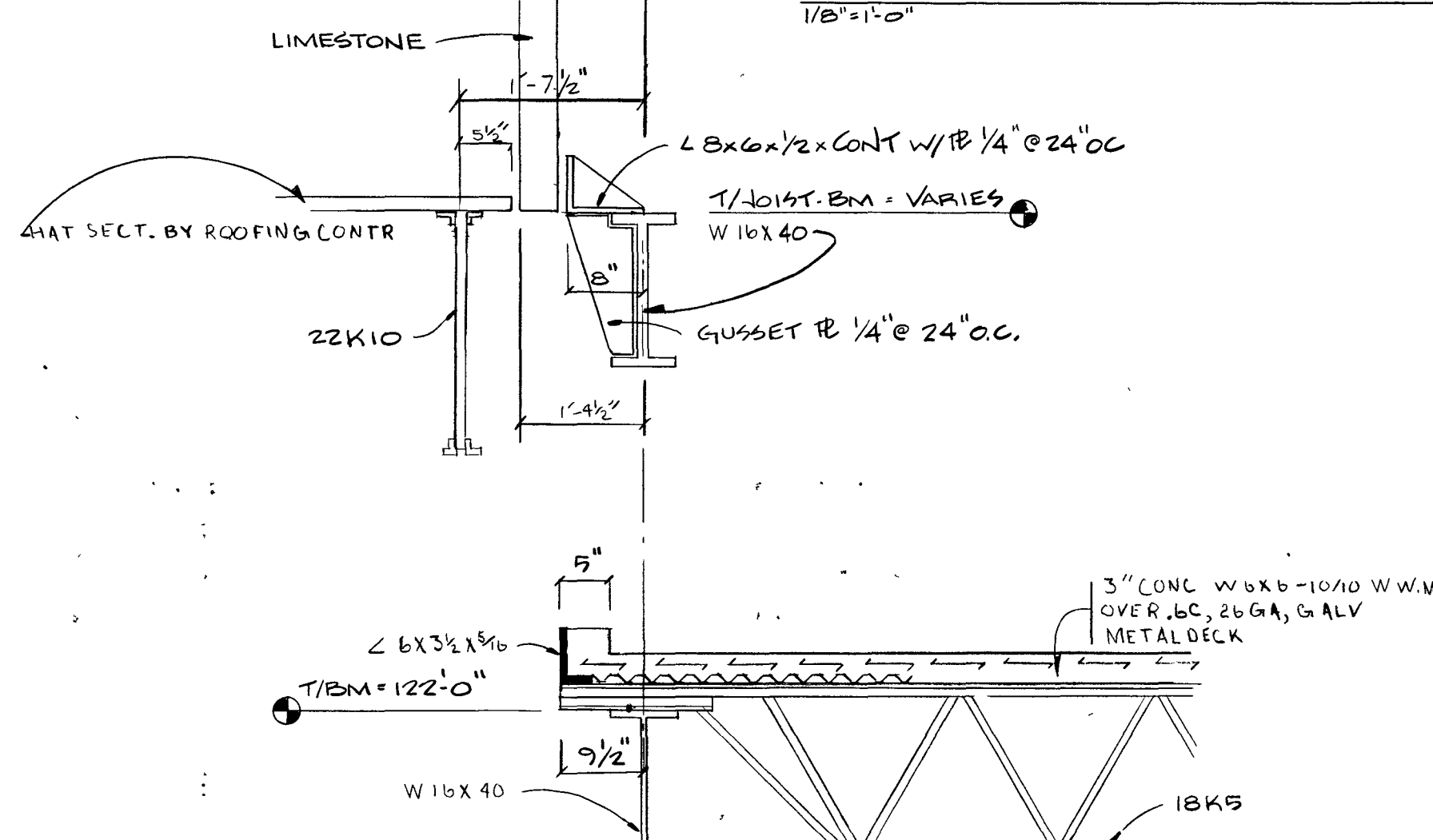
NOTES:



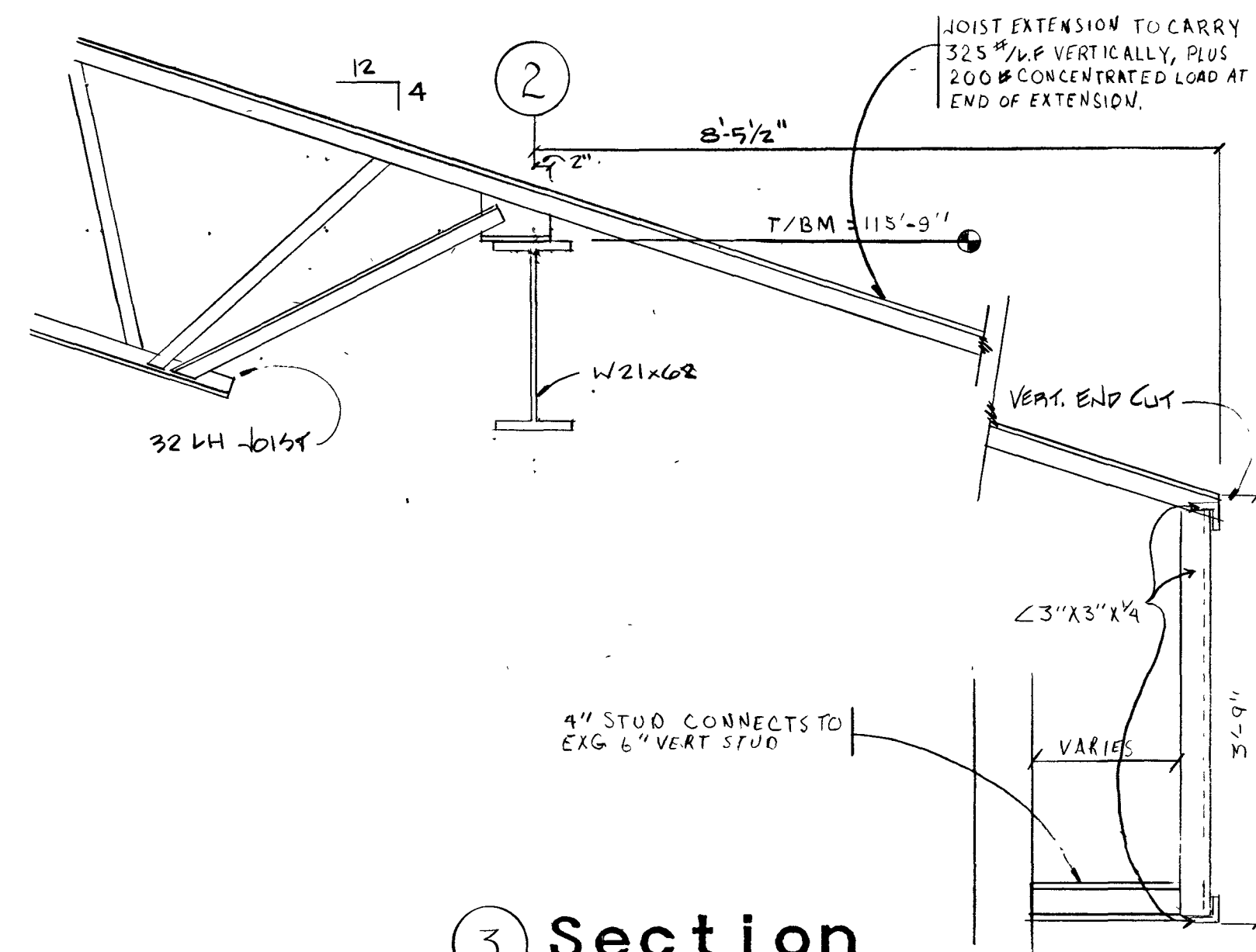
Roof Framing Plan - ALTERNATE



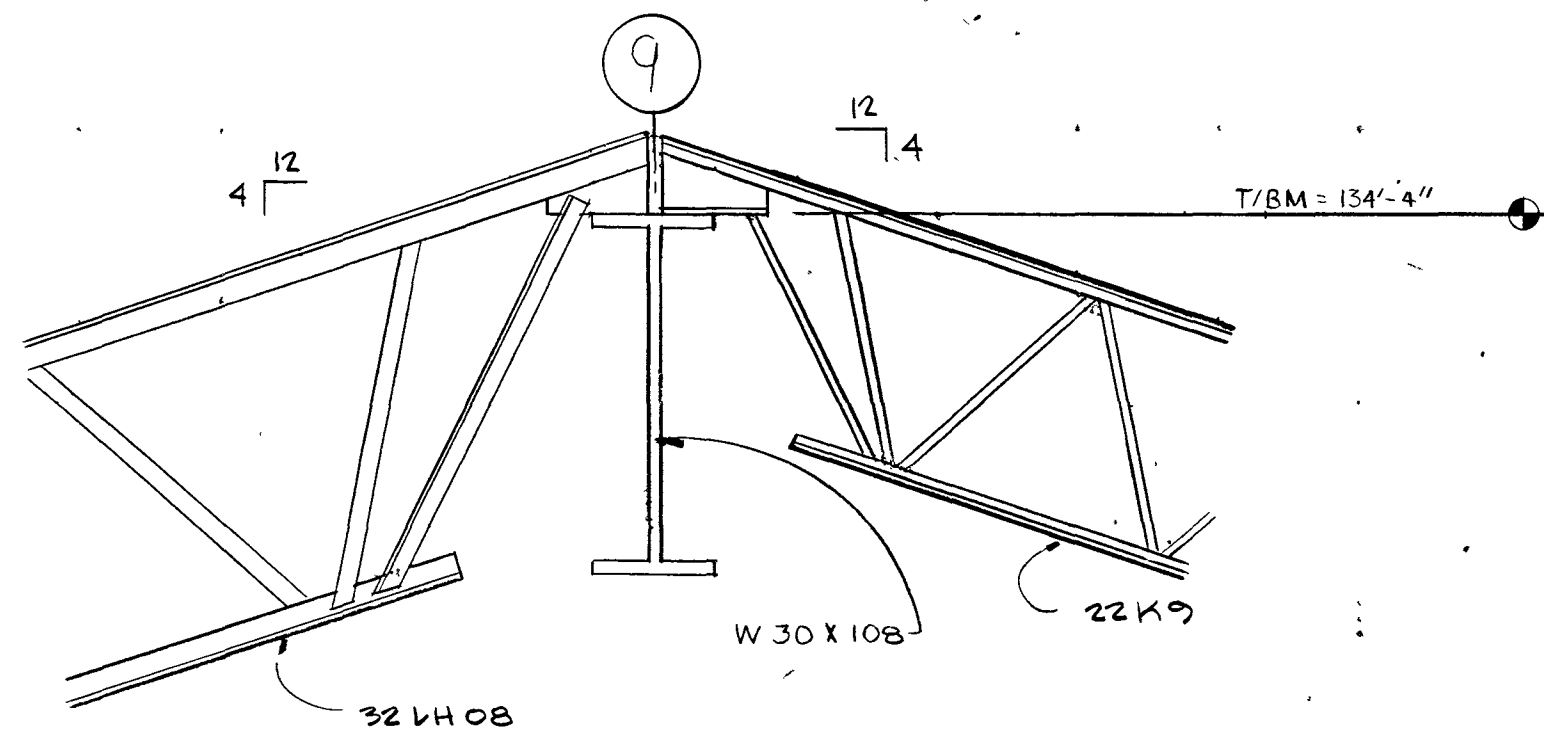
Section 1



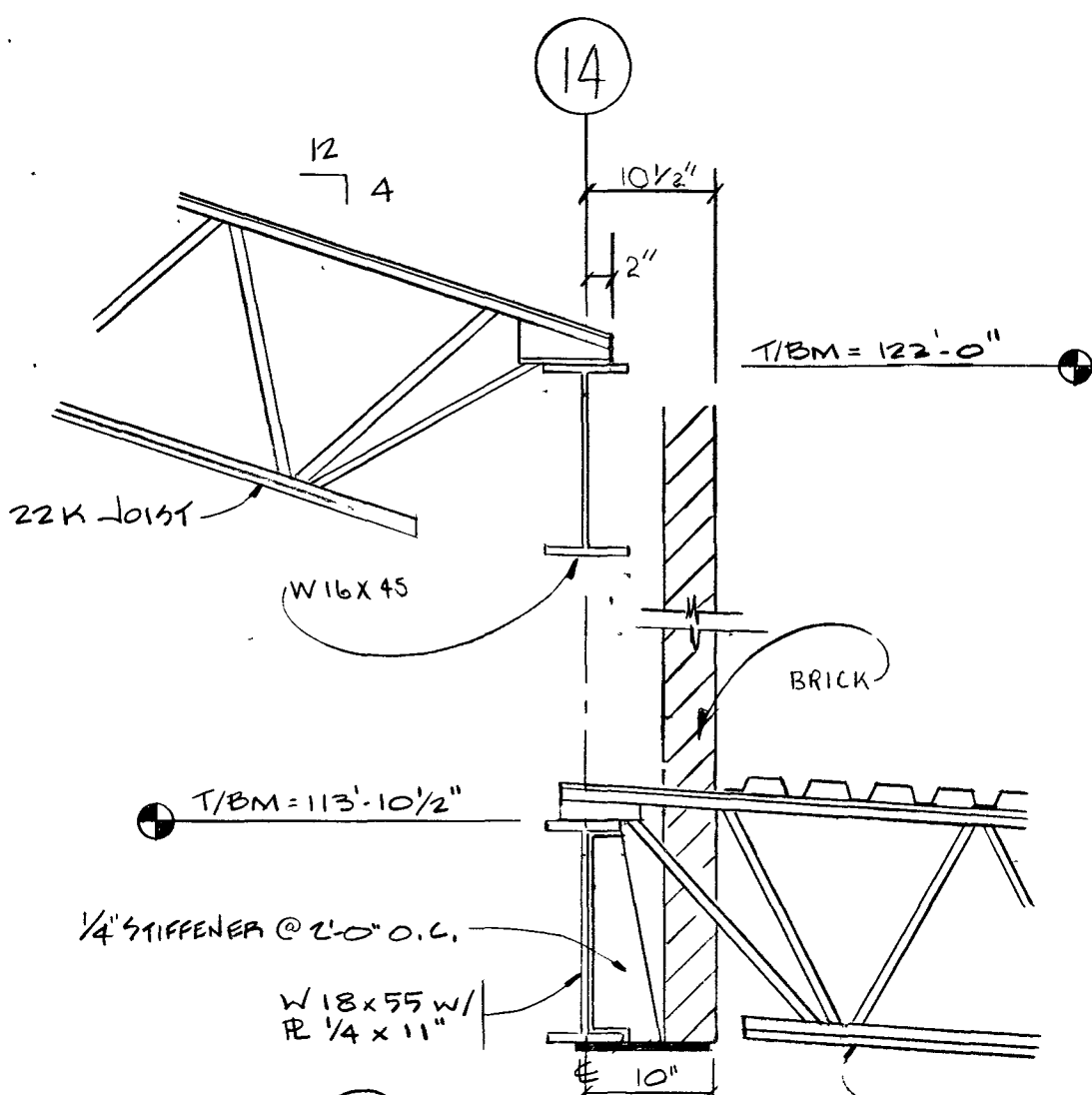
Section 2



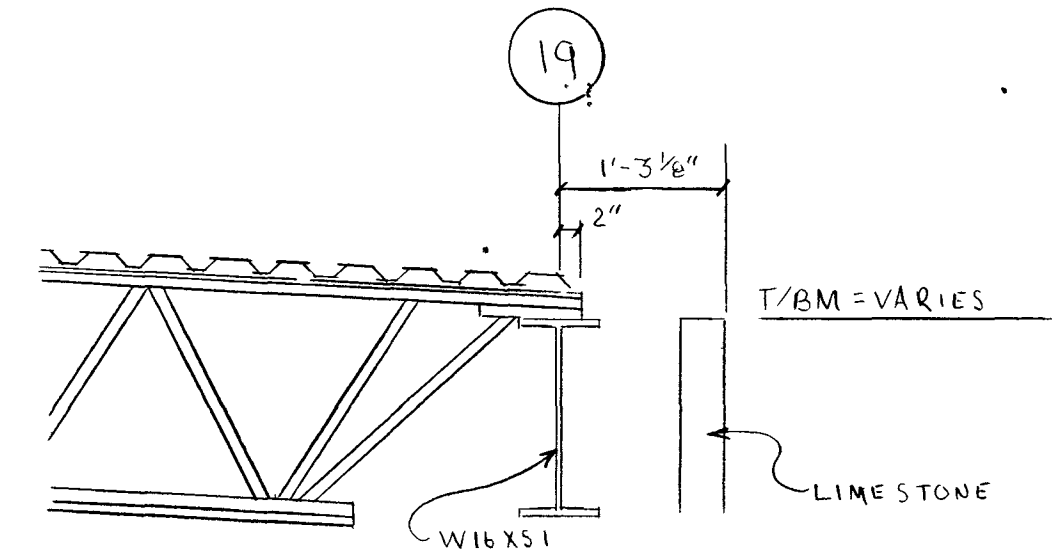
Section 3



Section 4

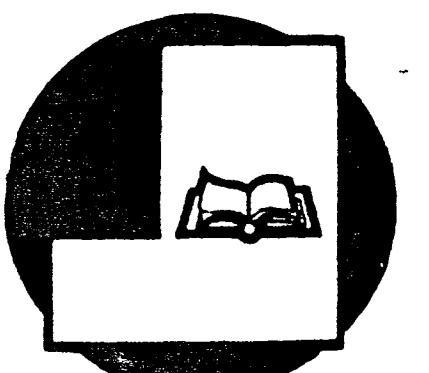


Section 5



Section 6

NEW FACILITY FOR
BLUFFTON - WELLS COUNTY PUBLIC LIBRARY
BLUFFTON, INDIANA 46714



SHEET TITLE :

FRAMING PLANS & DETAILS

PROJECT NO. 88-1207
DATE: 6-20-90

REVISIONS :
SHEET NO. S3.2

1111
5222
333
444
555
666
777
888
999
000

F.L.
B
G
a
b
c