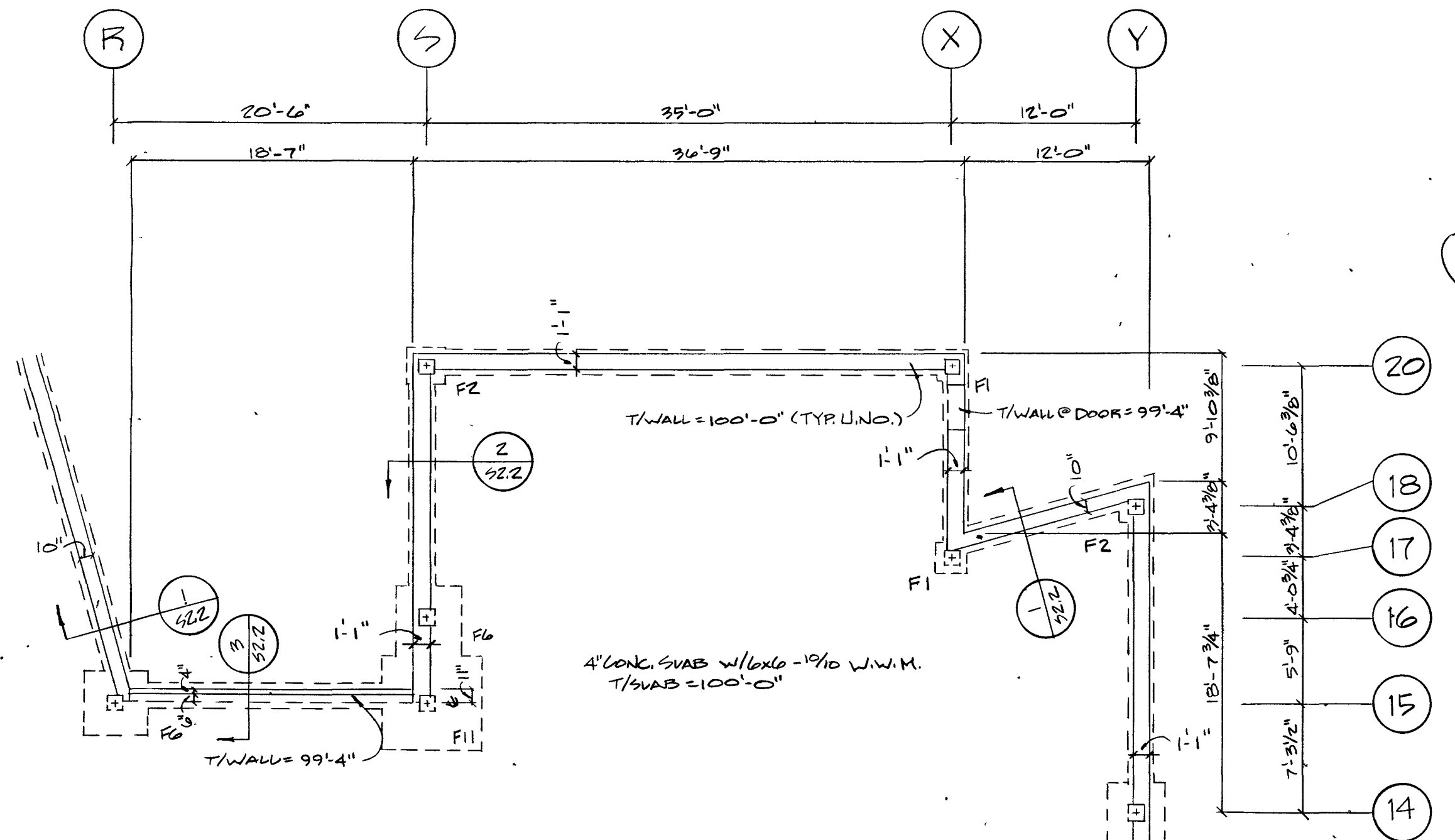
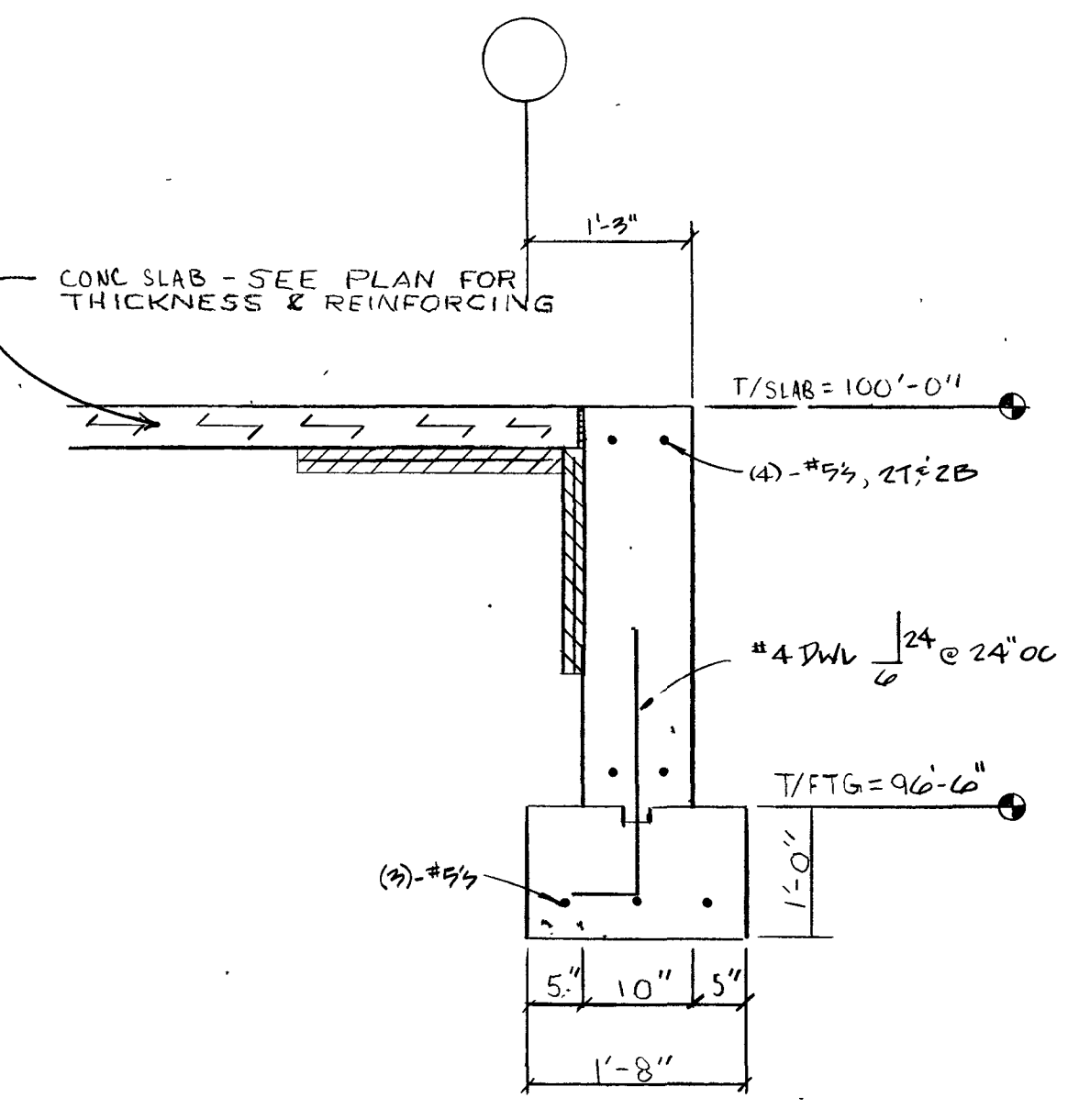


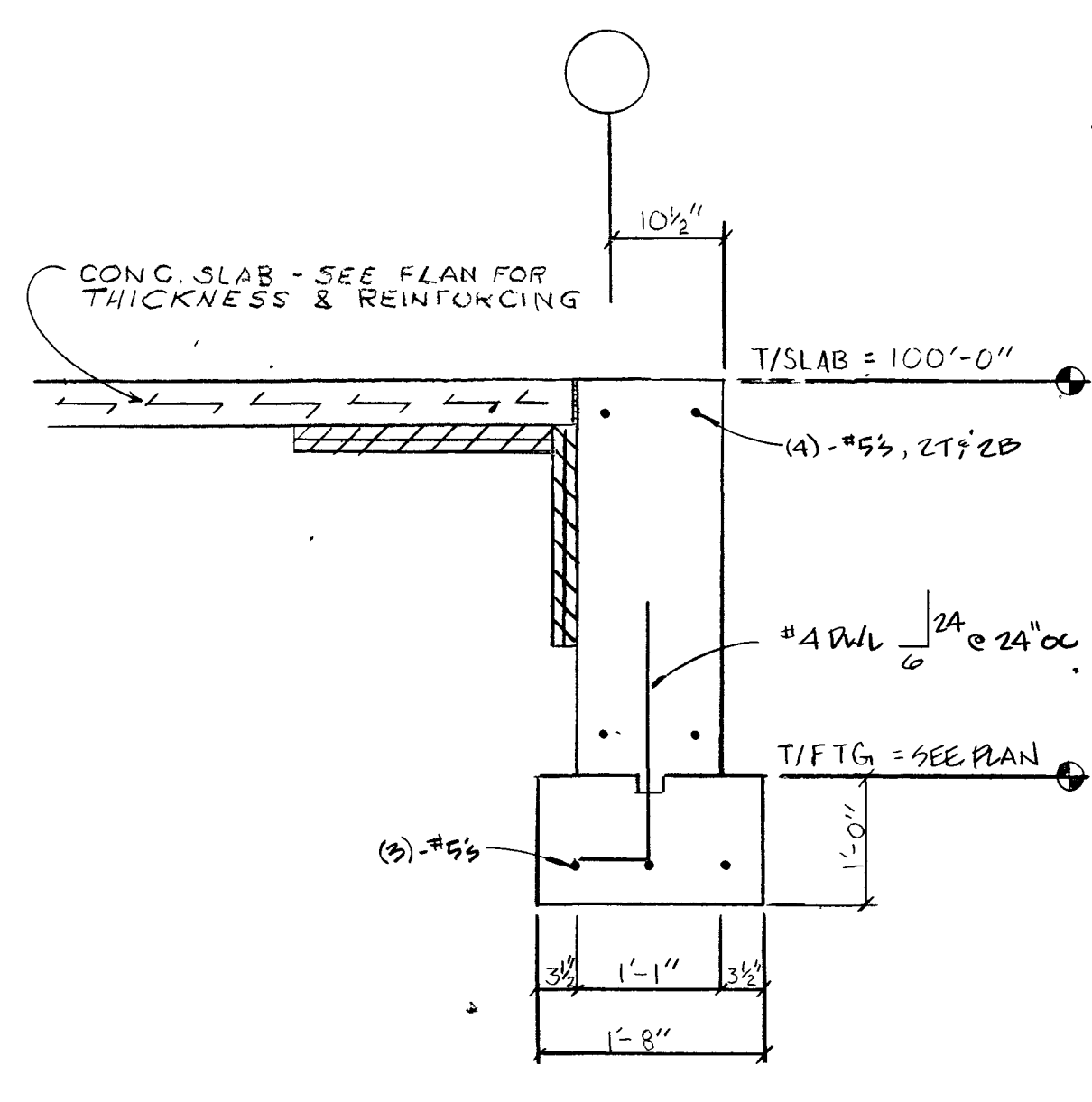
NOTES:



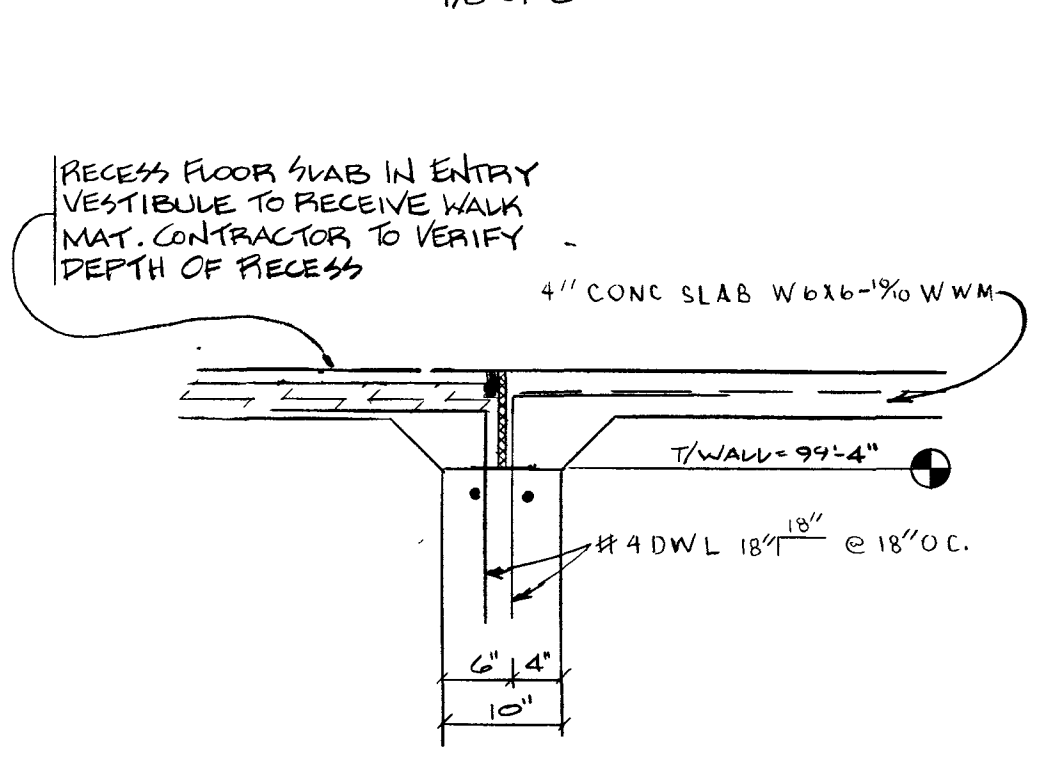
Foundation Plan - ALTERNATE
1/8" = 1'-0"



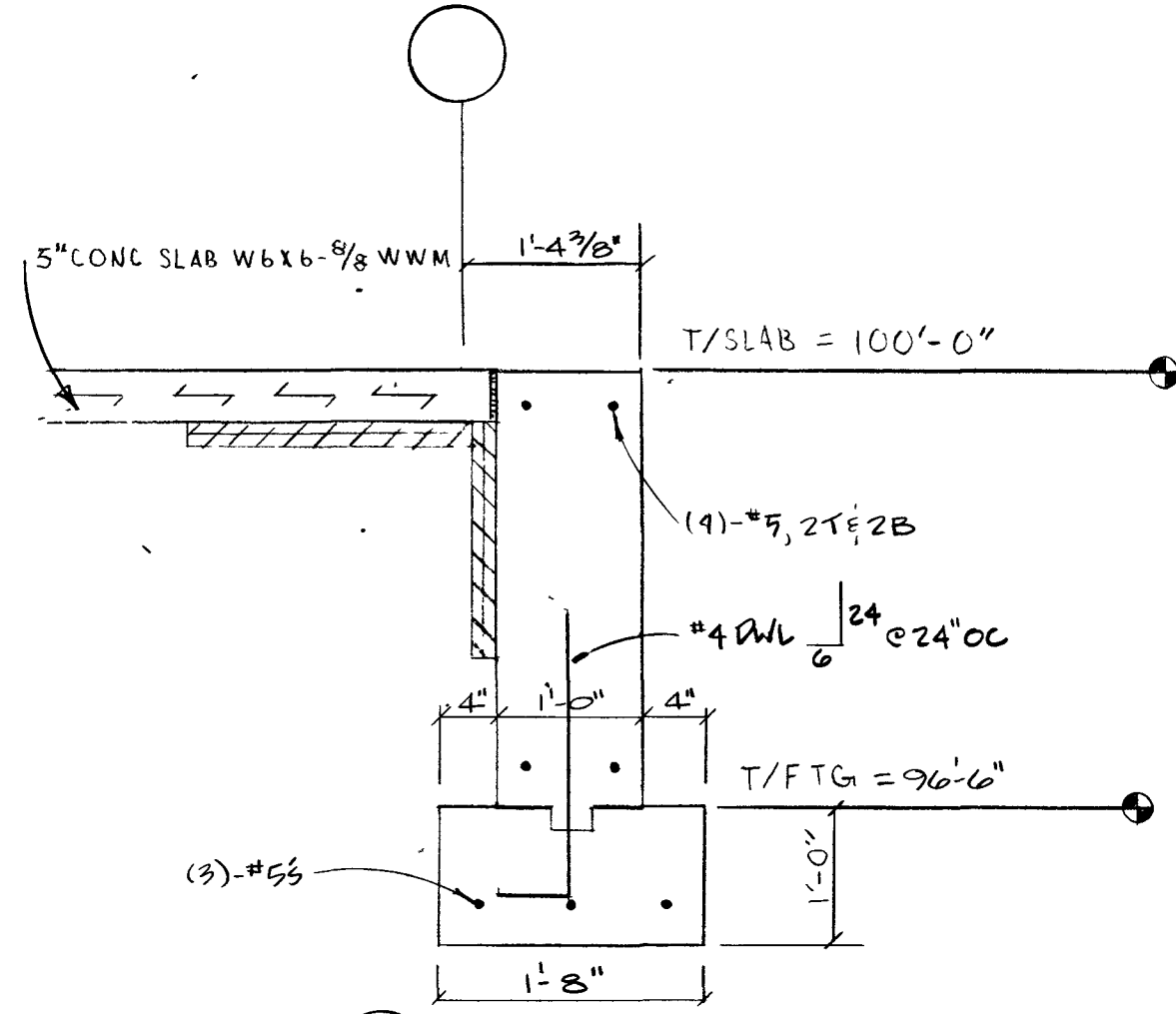
1 Section
3/4" = 1'-0"



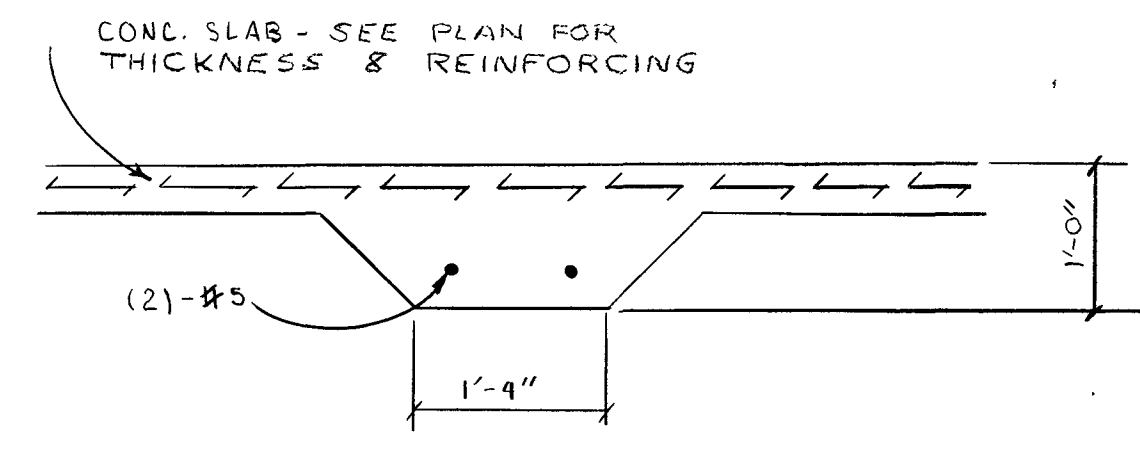
2 Section
3/4" = 1'-0"



3 Section
3/4" = 1'-0"



4 Section
3/4" = 1'-0"



TYP. THICKENED SLAB @ INTERIOR BRICK & LIMESTONE WALLS 3/4" = 1'-0"

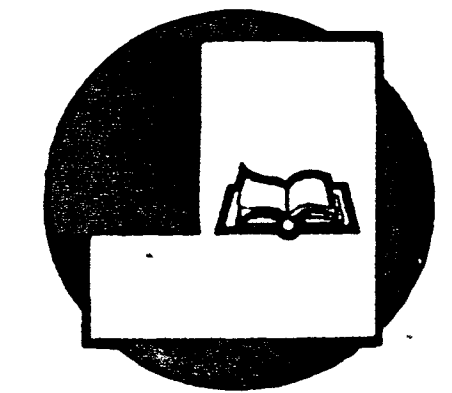
1111
5222
333
444
555
666
777
888
999
000

T 1
B
G
a
b
c

Footing Schedule		
MK	SIZE	REINFORCING
F1	2'-0" x 2'-0" x 1'-0"	(3)-#4 EW
F2	2'-6" x 2'-6" x 1'-0"	(3)-#4 EW
F3	2'-9" x 2'-9" x 1'-0"	(4)-#4 EW
F4	3'-3" x 3'-3" x 1'-0"	(4)-#4 EW
F5	3'-9" x 3'-9" x 1'-3"	(4)-#4 EW
F6	4'-3" x 4'-3" x 1'-3"	(5)-#4 EW
F7	4'-9" x 4'-9" x 1'-3"	(7)-#4 EW
F8	5'-3" x 5'-3" x 1'-3"	(8)-#4 EW
F9	5'-6" x 5'-6" x 1'-3"	(7)-#5 EW
F10	6'-0" x 6'-0" x 1'-3"	(8)-#5 EW
F11	6'-3" x 6'-3" x 1'-5"	(7)-#6 EW
F12	6'-6" x 6'-6" x 1'-5"	(8)-#6 EW
F13	7'-3" x 7'-3" x 1'-5"	(7)-#7 EW
F14	7'-6" x 7'-6" x 1'-5"	(8)-#7 EW

PIERS: 1'-0" x 1'-0" (TYP) Provide (4)-#5 Vert. W/ #3 Ties @ 10" o.c. and Matching Dowels into Ftg. T/Pier = 99'-4" (TYP)

NEW FACILITY FOR BLUFFTON - WELLS COUNTY PUBLIC LIBRARY
BLUFFTON, INDIANA 46714



SHEET TITLE:
FOUNDATION PLAN & DETAILS

PROJECT NO. 88-1207
REVISIONS:
DATE: 6-20-90
SHEET NO. **S2.2**