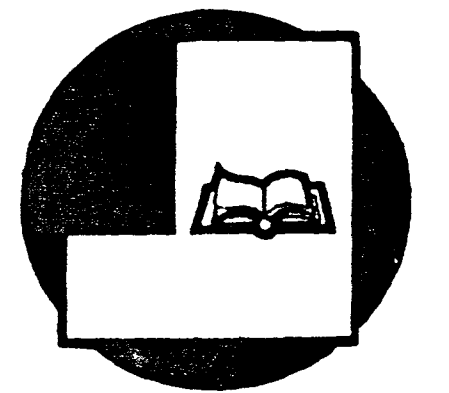


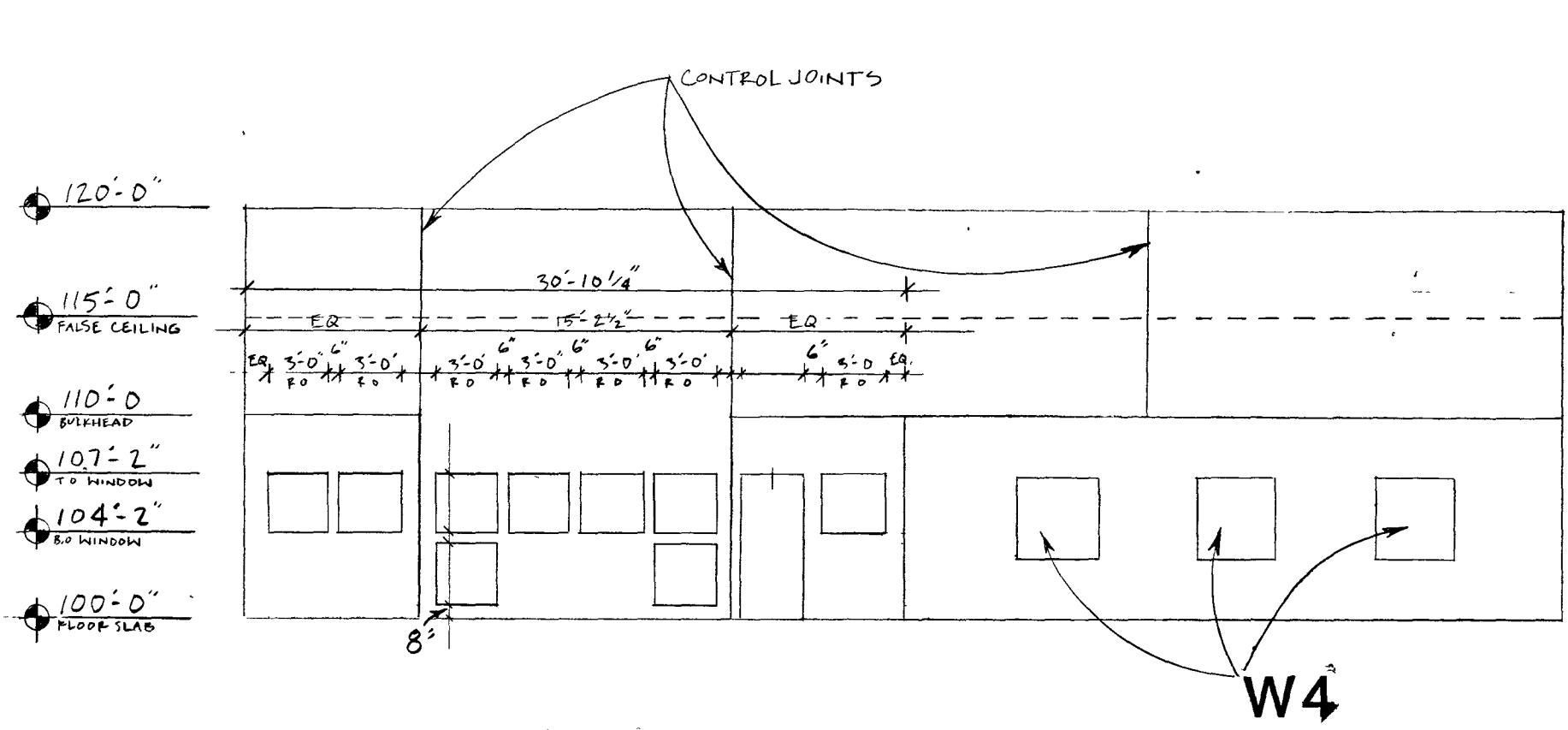
NOTES:

**NEW FACILITY FOR
BLUFFTON -
WELLS COUNTY
PUBLIC LIBRARY**
BLUFFTON, INDIANA 46714

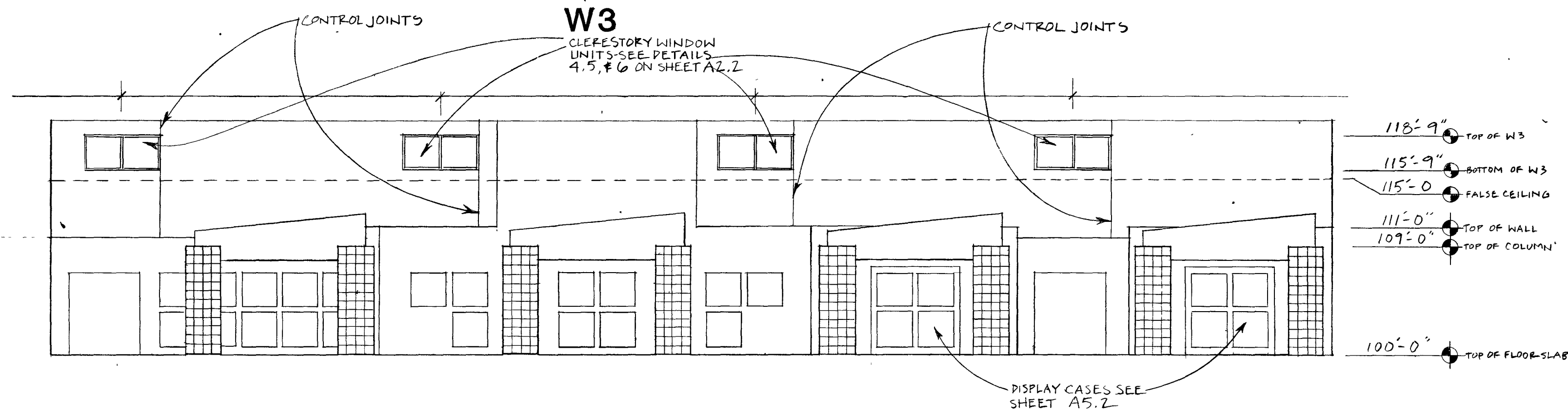


SHEET TITLE:
**INTERIOR ELEVATIONS
& DETAILS**

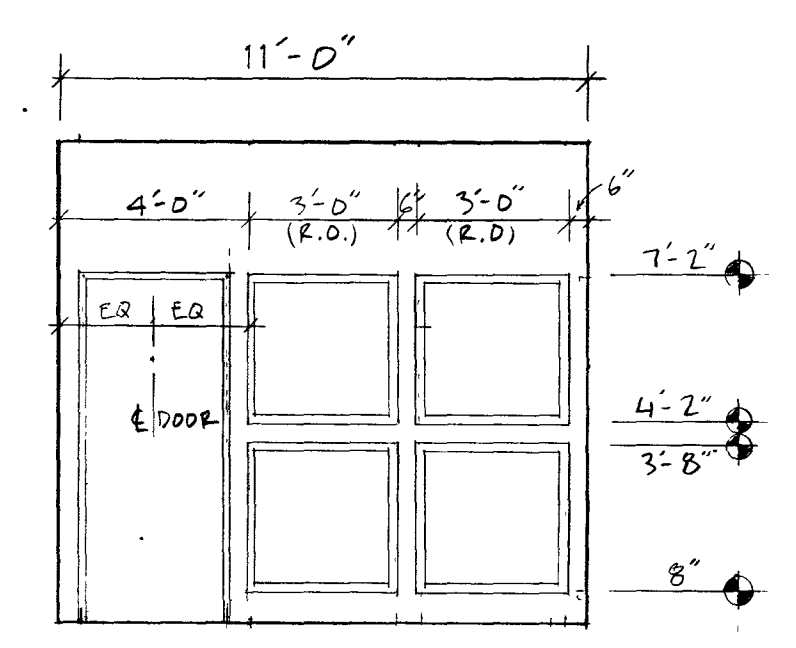
PROJECT NO. 88-1207	REVISIONS :	SHEET NO. A5.1
DATE: 6-20-90		



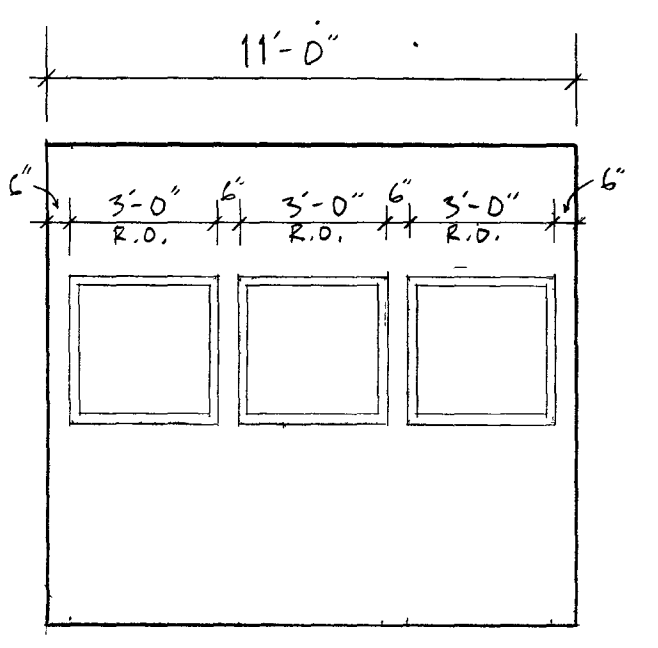
1 ELEVATION
A5.1 SCALE: 1/8" = 1'-0"



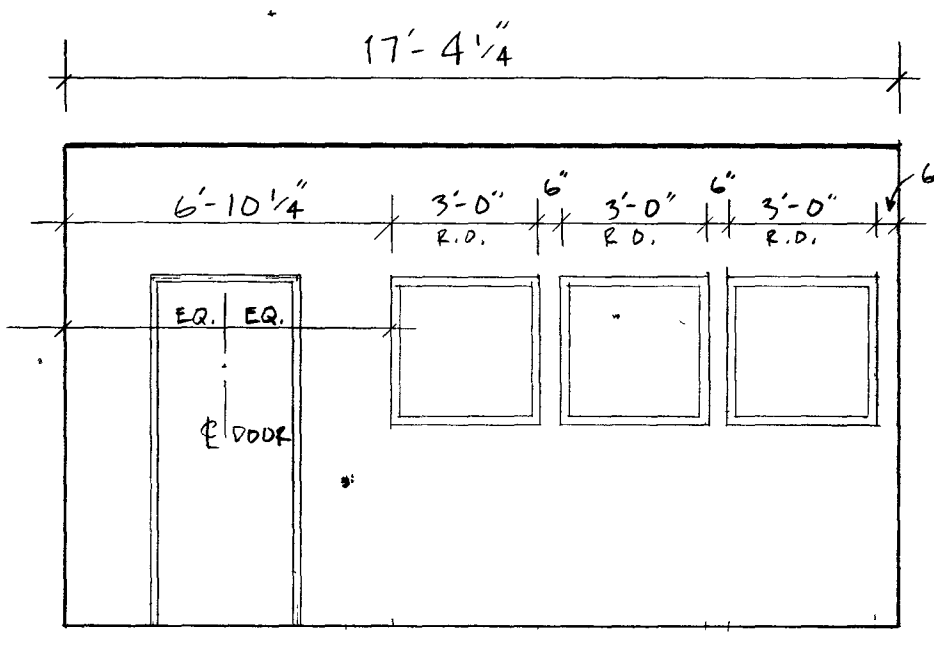
2 ELEVATION
A5.1 SCALE: 1/8" = 1'-0"



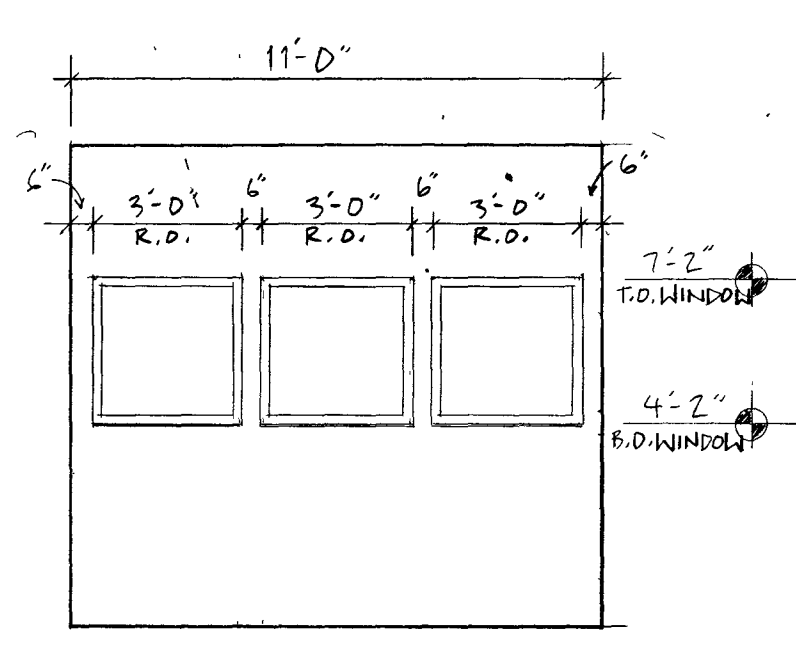
3 CHILDREN'S STORY HOUR ELEVATION
A5.1 SCALE: 1/4" = 1'-0"



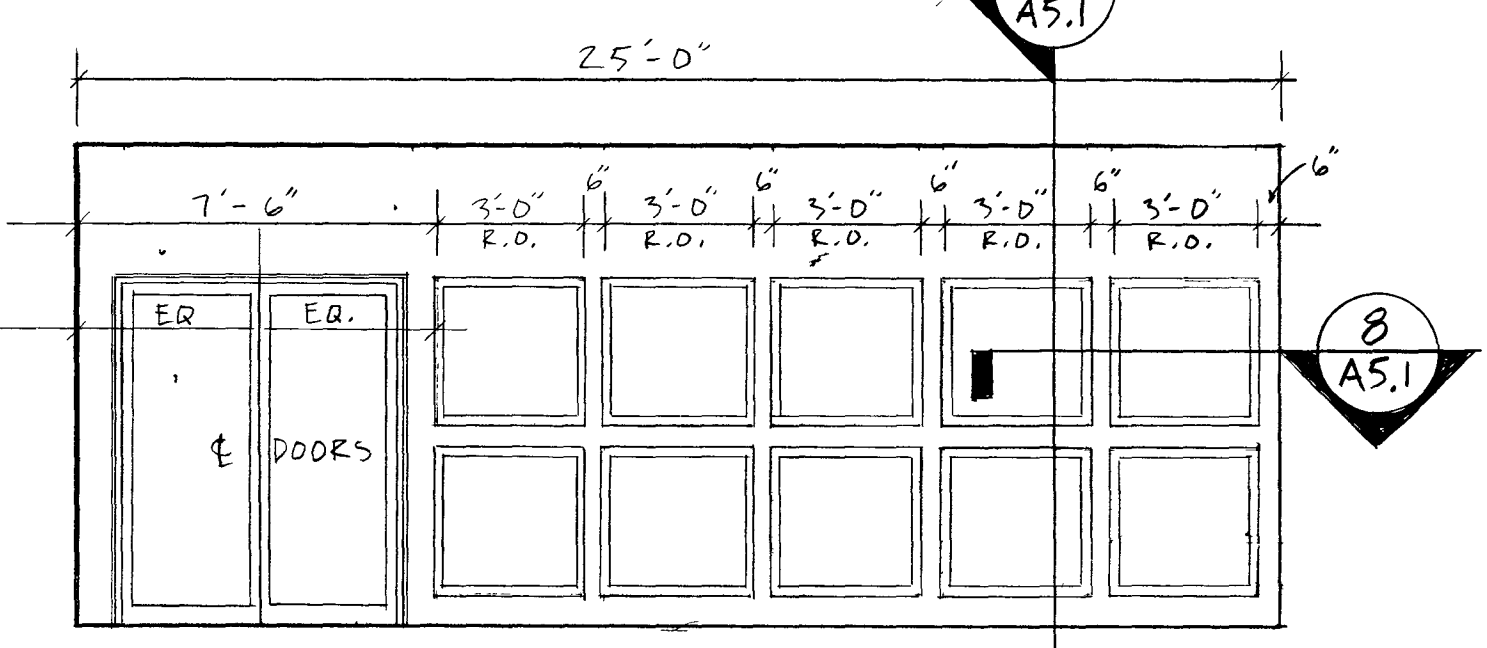
4 CHILDREN'S OFFICE ELEVATION
A5.1 SCALE: 1/4" = 1'-0"



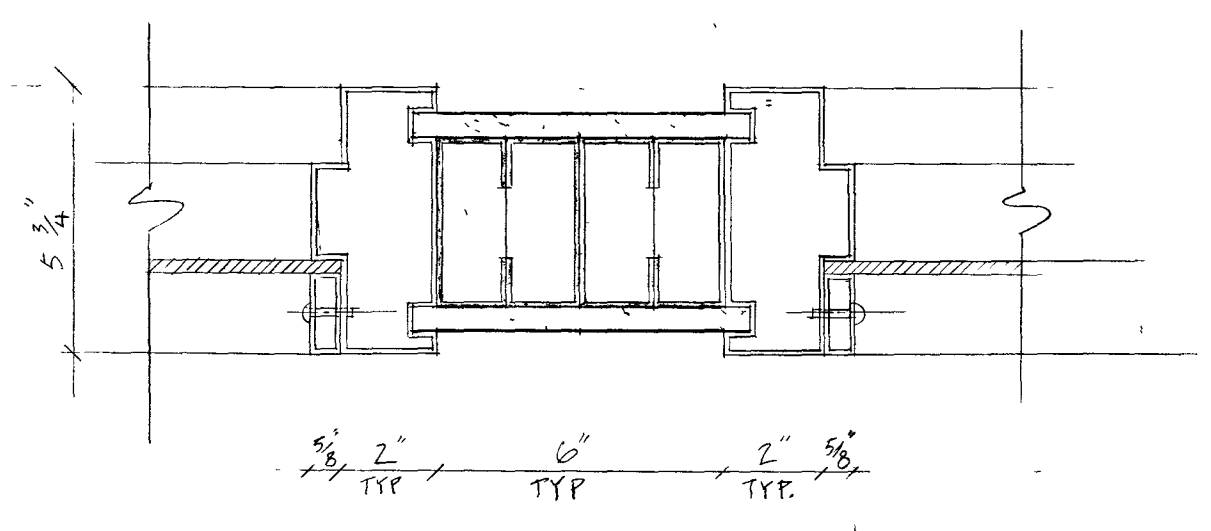
5 CHILDREN'S OFFICE ELEVATION
A5.1 SCALE: 1/4" = 1'-0"



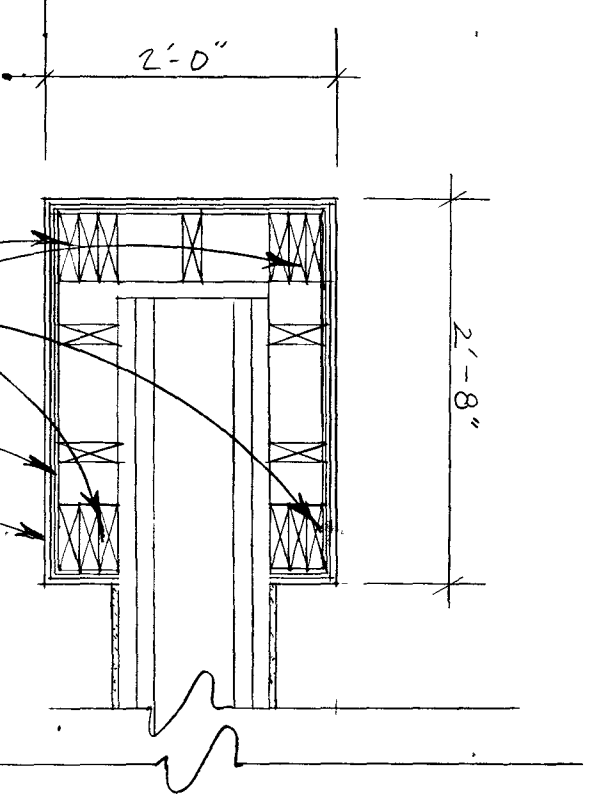
6 CHILDREN'S OFFICE ELEVATION
A5.1 SCALE: 1/4" = 1'-0"



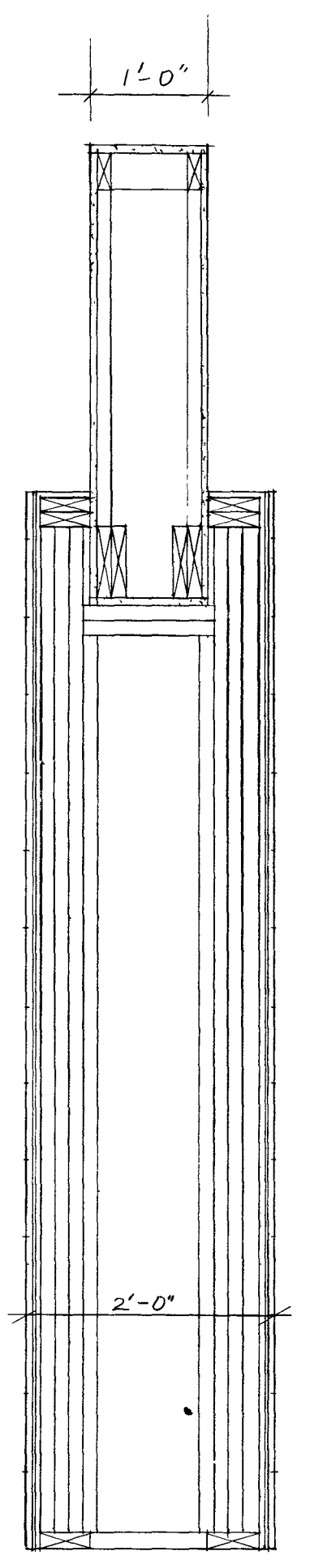
7 INDIANA COLLECTION ELEVATION
A5.1 SCALE: 1/4" = 1'-0"



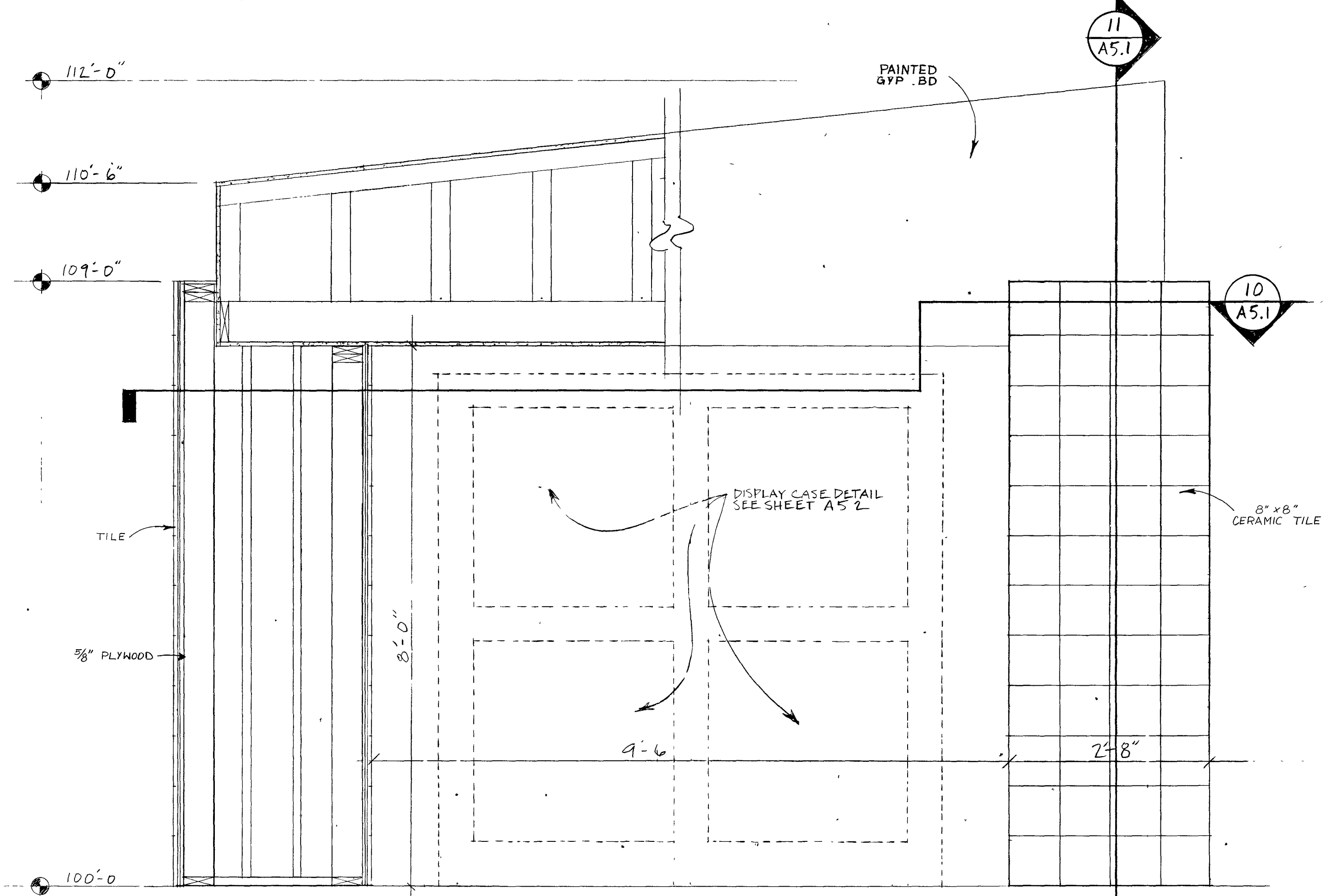
8 INTERIOR JAMB (TYP.) DETAIL
A5.1 SCALE: 3" = 1'-0"



10 TYPICAL SURROUND DETAIL
A5.1 SCALE: 3/4" = 1'-0"



11 TYPICAL SURROUND DETAIL
A5.1 SCALE: 3/4" = 1'-0"



12 TYPICAL SURROUND DETAIL
A5.1 SCALE: 3/4" = 1'-0"

1111
5222
333
444
555
666
777
888
999
000

T 1.
B
G
A5.1a
b
c