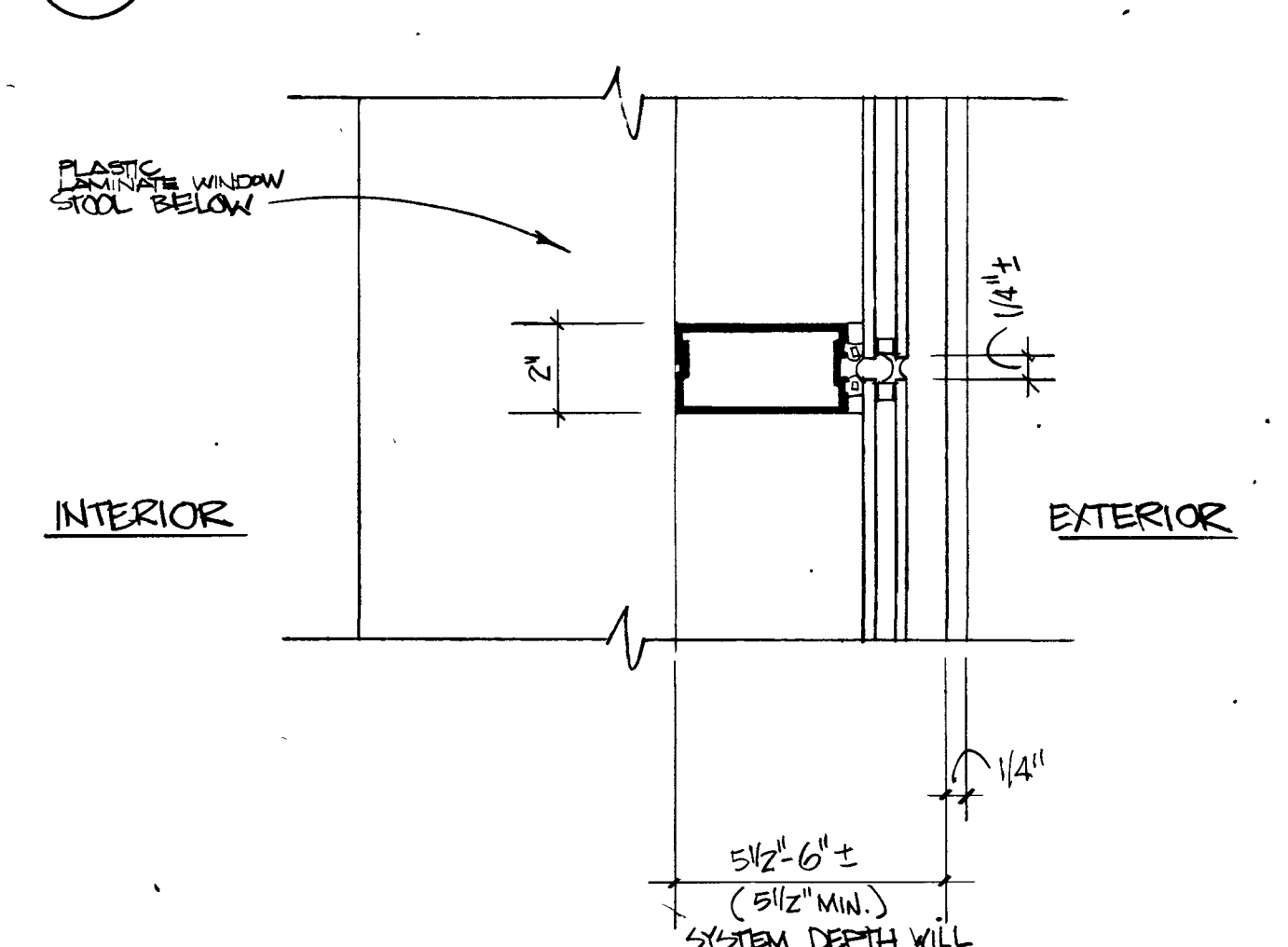


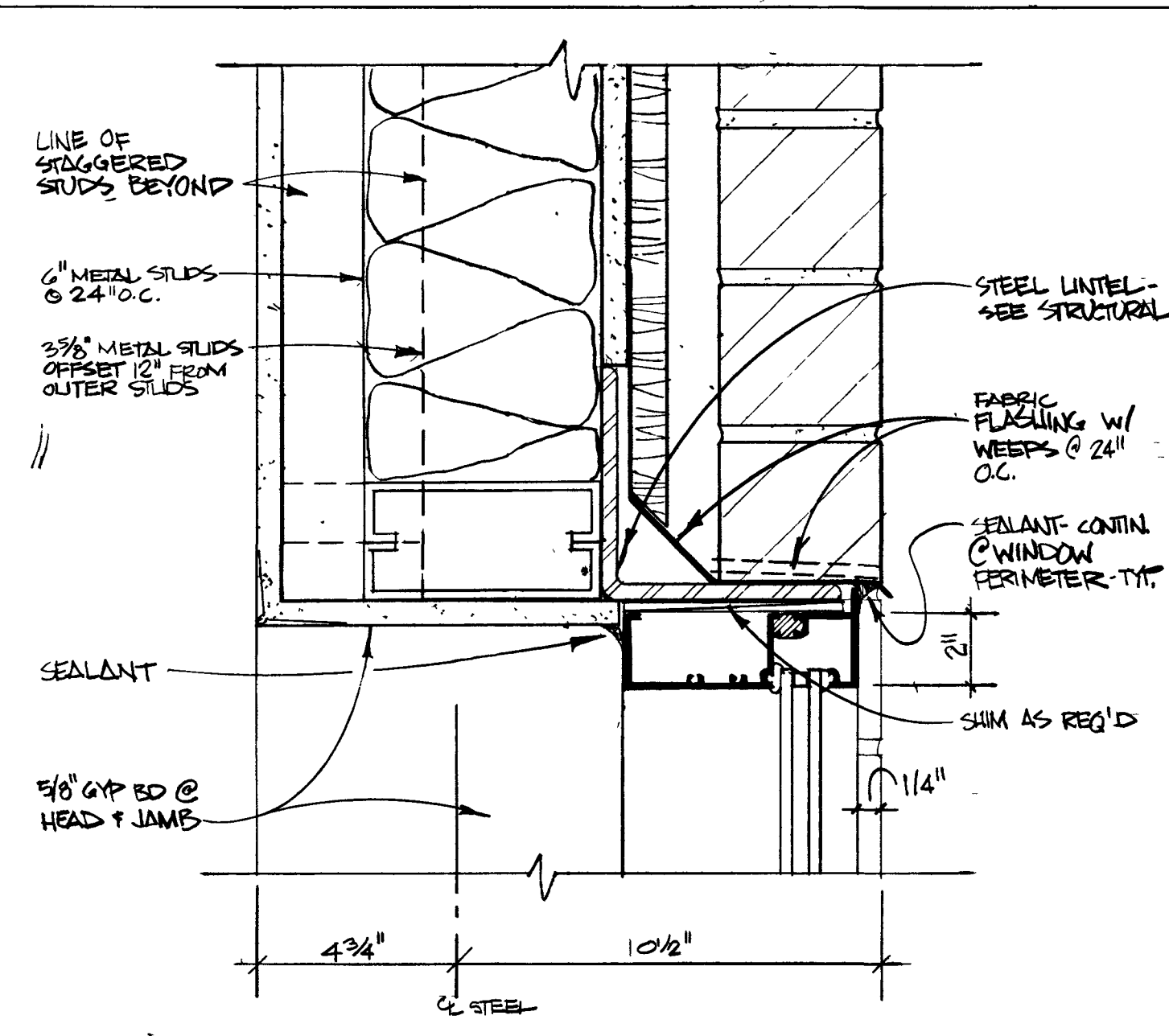
MECHANICAL MEZZANINE FLOOR PLAN
SCALE: 1/8" = 1'-0"

Location	Glazing
Exterior Aluminum Windows (Butt Glazed & Fixed)	Insulating Glass: Interior Pane - clear float glass Exterior Pane - tinted float glass
Exterior Steel Windows (West Elevation, Fire Rated)	Insulating Glass: Interior Pane - clear, wire-reinforced float glass Exterior Pane - tinted float glass
Exterior Aluminum Storefront & Aluminum/Glass Entry Doors	Insulating Glass: Interior Pane - clear, tempered float glass Exterior Pane - tinted, tempered float glass
Interior Aluminum Storefront & Aluminum/Glass Vestibule Doors	Clear tempered float glass
Interior Windows	Clear tempered float glass
Interior Doors	Clear tempered or wire glass as scheduled

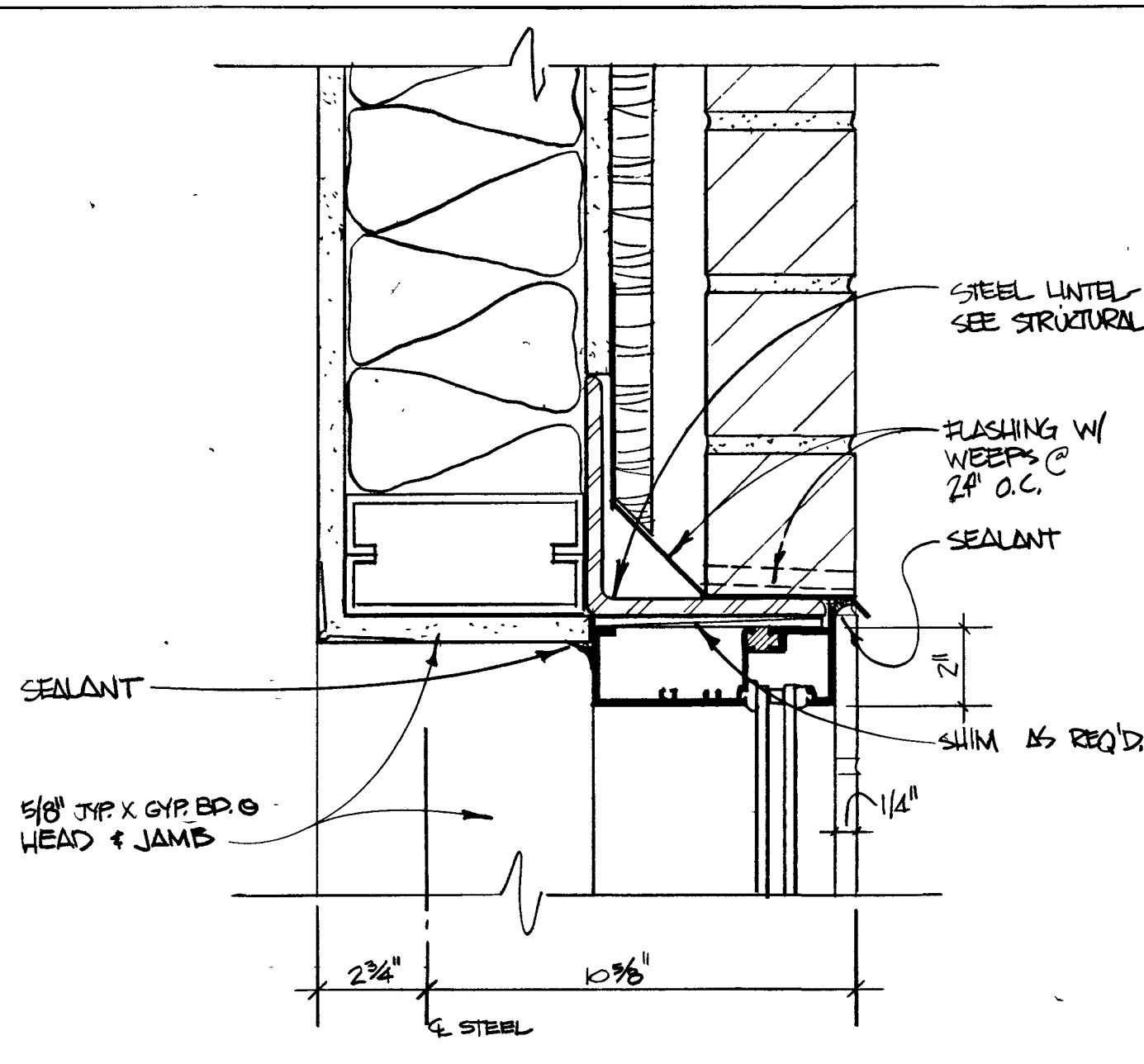
GLAZING SCHEDULE



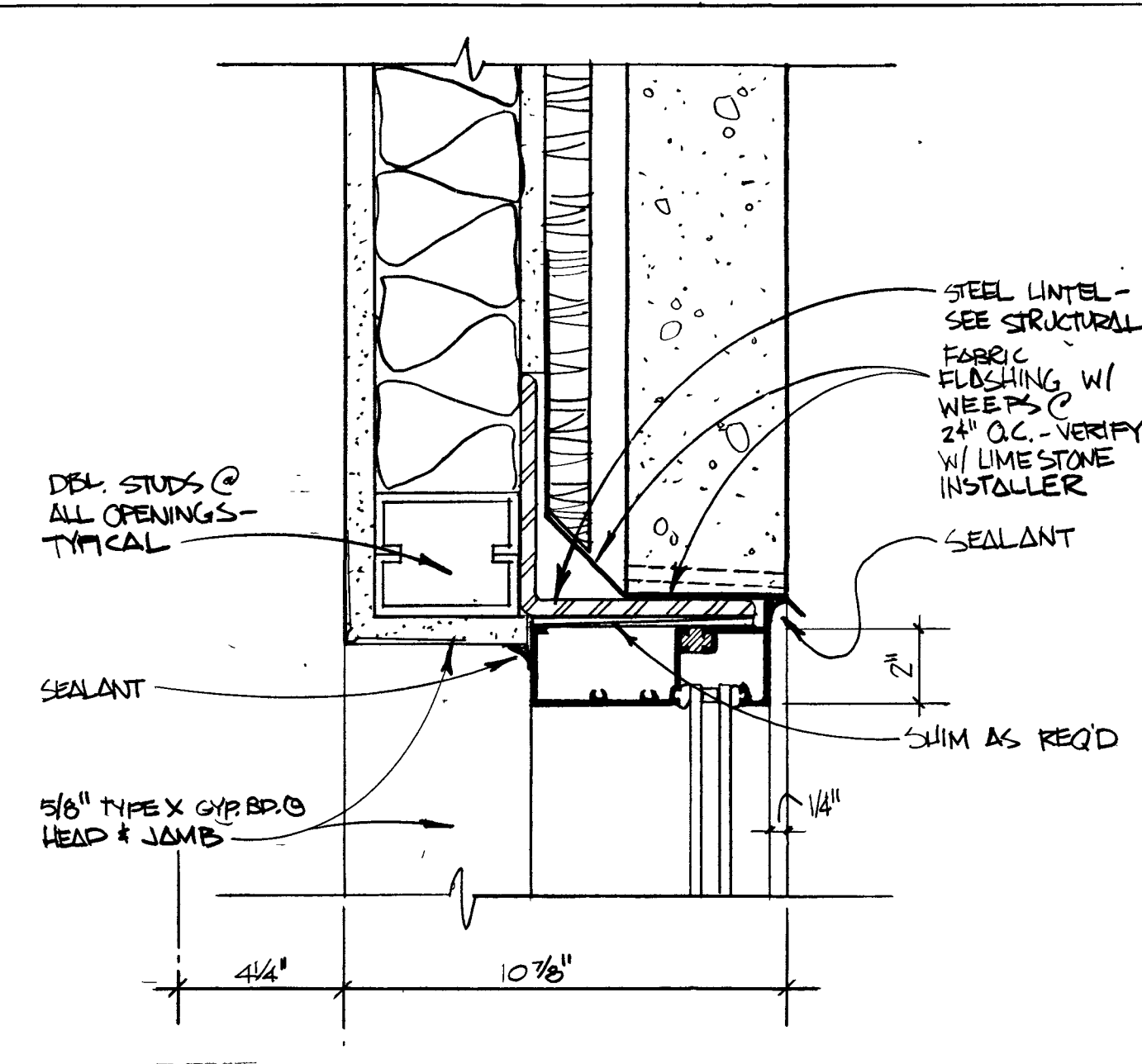
VERTICAL MULLION DETAIL: W-2 & W-5 & W-3
SCALE: 3/8" = 1'-0"



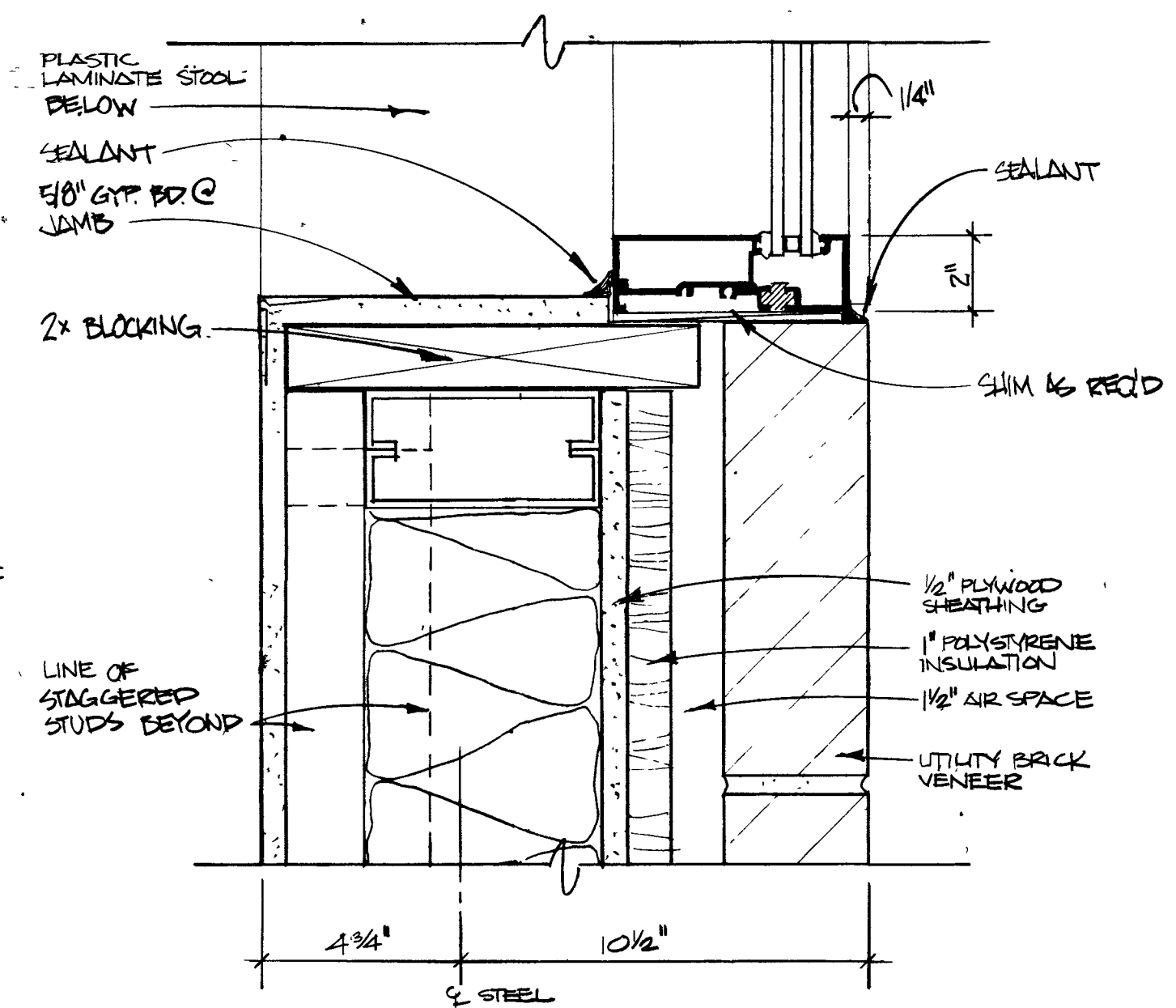
HEAD DETAIL: W-3
SCALE: 3/8" = 1'-0"



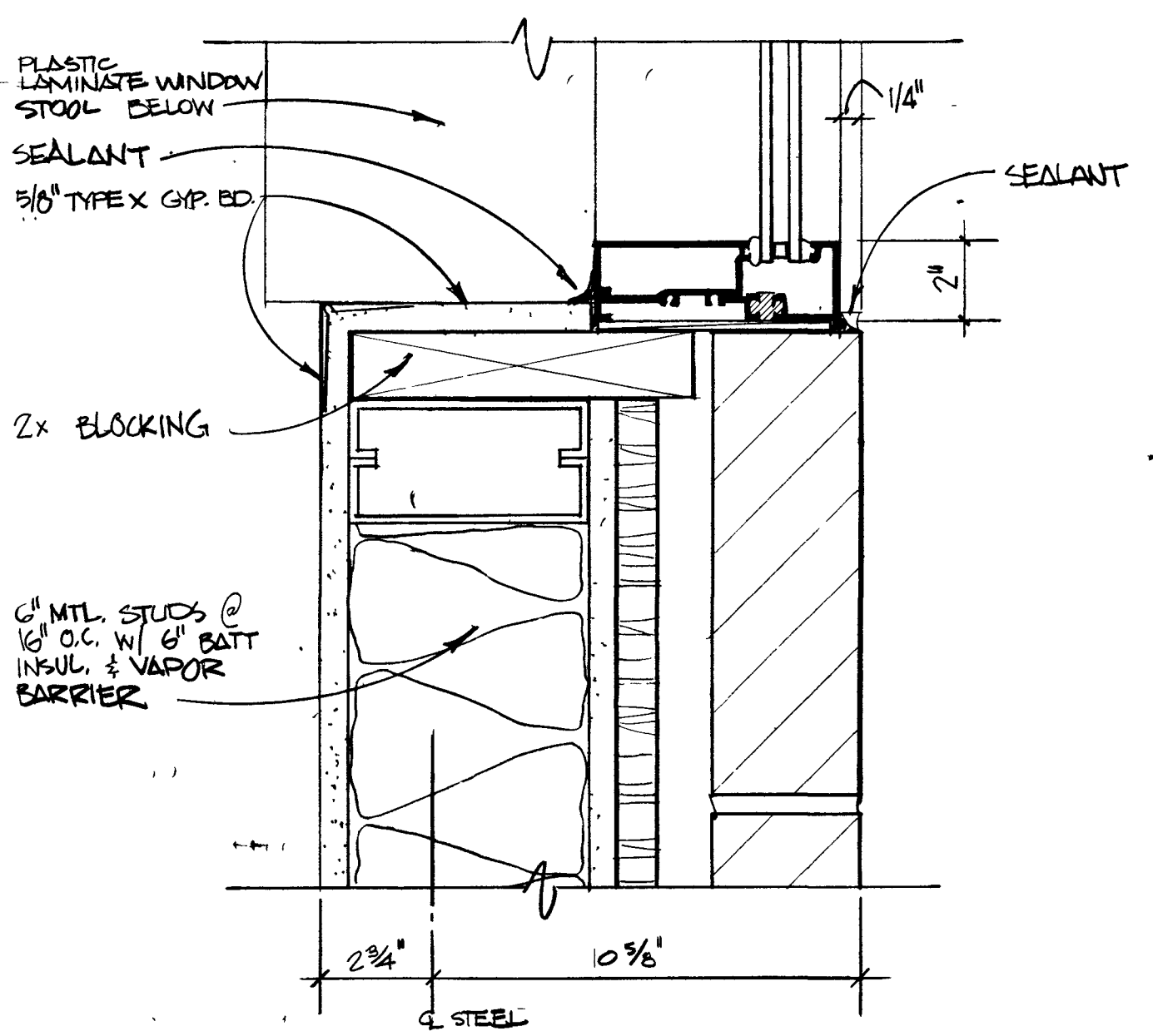
HEAD DETAIL: W-1 & W-5
SCALE: 3/8" = 1'-0" (W-4 SIMILAR)



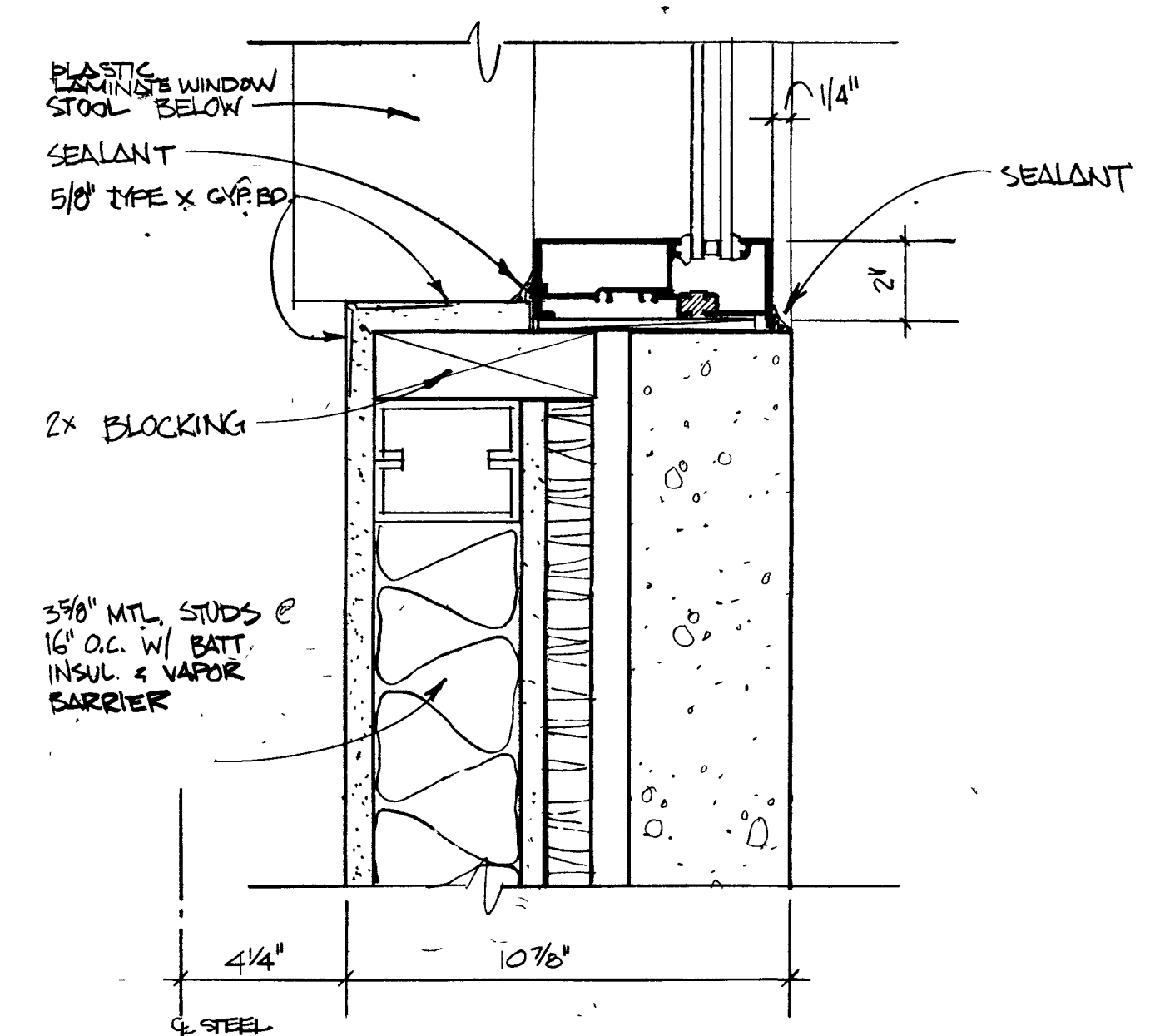
HEAD DETAIL: W-2
SCALE: 3/8" = 1'-0"



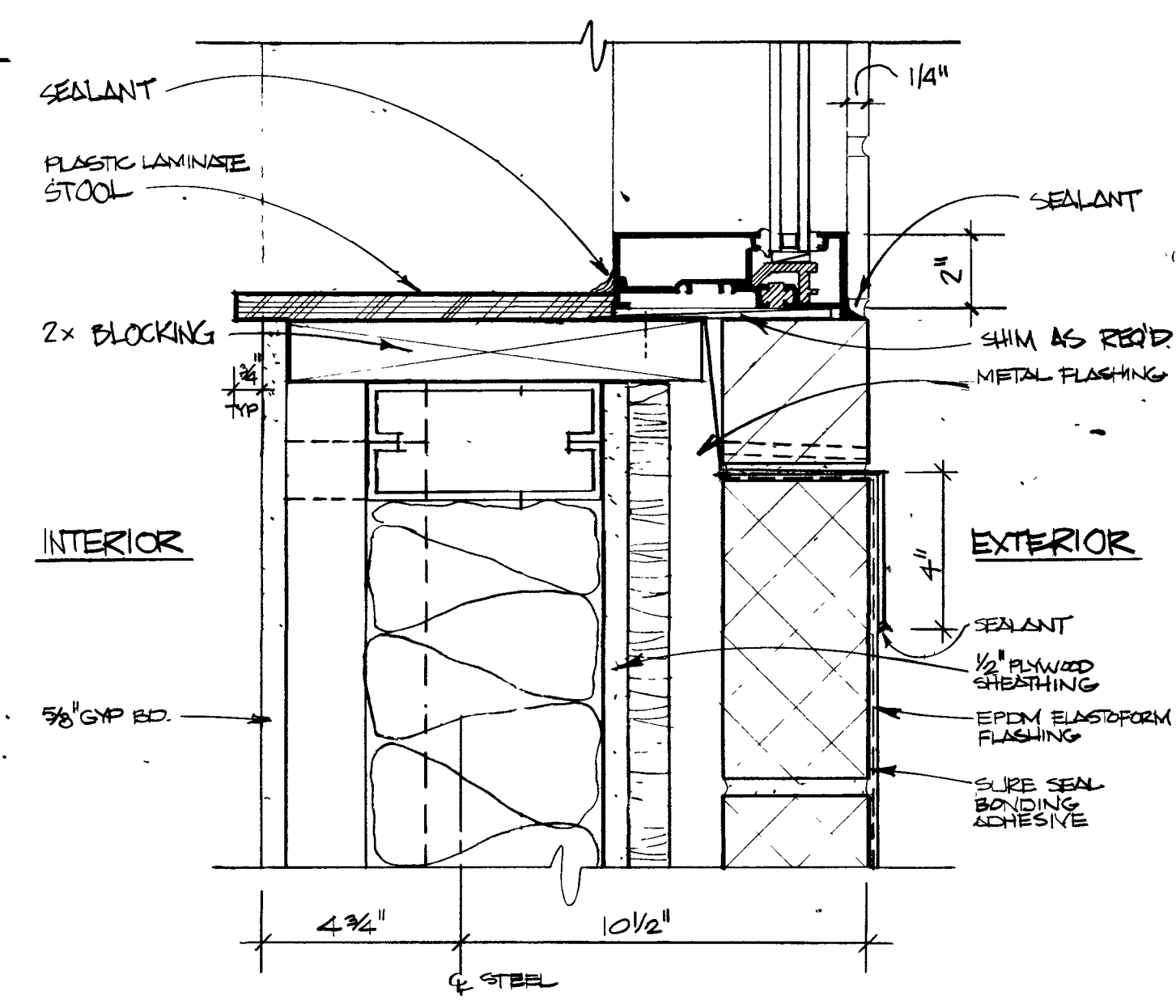
JAMB DETAIL: W-3
SCALE: 3/8" = 1'-0"



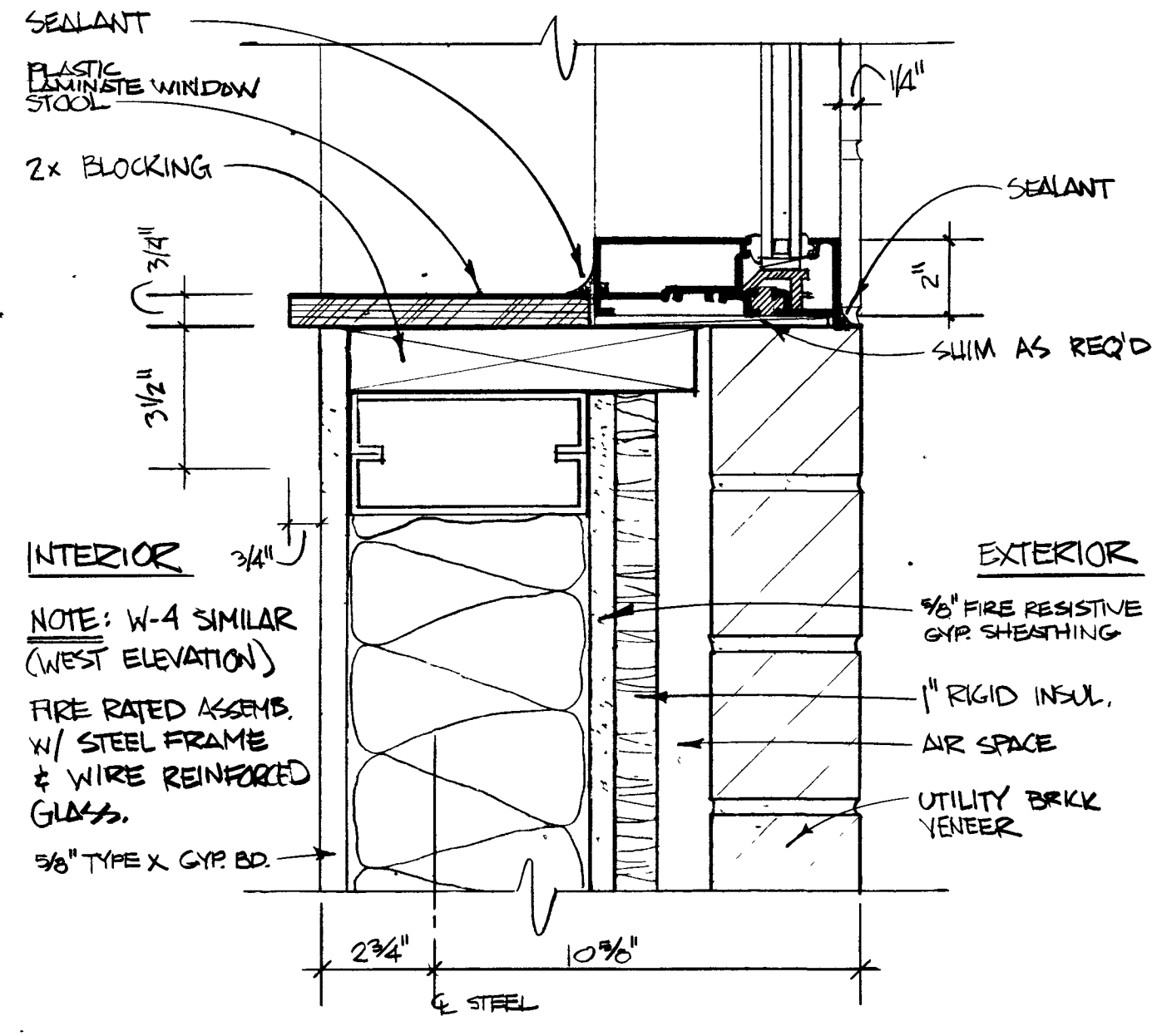
JAMB DETAIL: W-1 & W-5
SCALE: 3/8" = 1'-0" (W-4 SIMILAR)



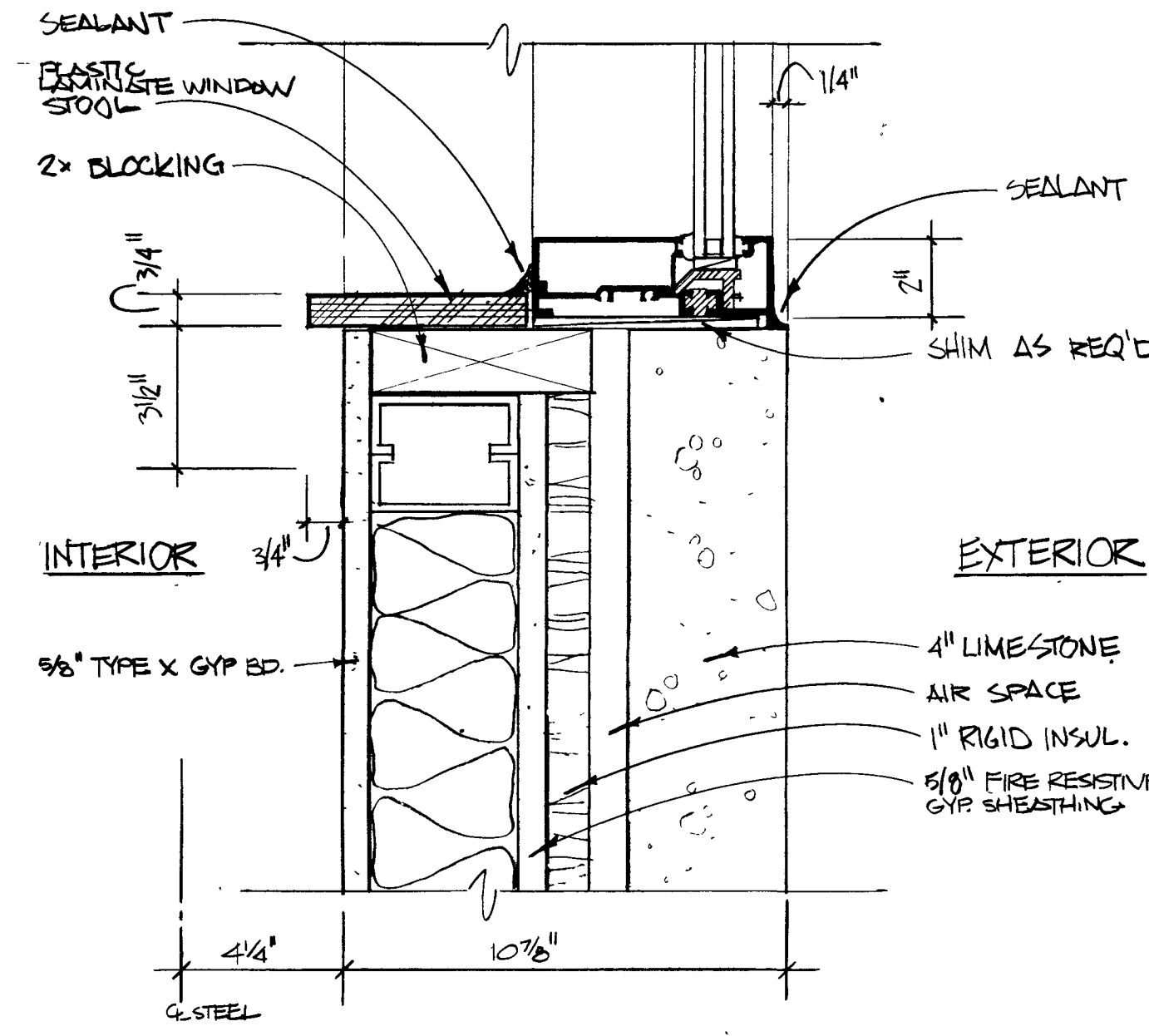
JAMB DETAIL: W-2
SCALE: 3/8" = 1'-0"



SILL DETAIL: W-3
SCALE: 3/8" = 1'-0"



SILL DETAIL: W-1 & W-5
SCALE: 3/8" = 1'-0" (W-4 SIMILAR)



SILL DETAIL: W-2
SCALE: 3/8" = 1'-0"

NOTES:
1. ***** INDICATES SOUND INSULATED WALLS. 3/8" METAL STUDS W/ LAYER 5/8" TYPE X GYP BD TO BOTH SIDES FILL WALL CAVITY W/ BATT SOUND INSULATION. EXTEND TO UNDERSIDE OF ROOF PECK TAPE AND SEAL ALL JOINTS AND PENETRATIONS. (ALSO INDICATES EXTENT OF 1 HR. WALL)

NEW FACILITY FOR
BLUFFTON - WELLS COUNTY PUBLIC LIBRARY
BLUFFTON, INDIANA 46714

