

CERTIFICATION



All concepts, ideas, designs, plans and details as shown on this document are the sole property of Design Collaborative, Inc. and shall not be used for any purpose without their expressed written consent. The owner shall be permitted to retain copies for information and reference.

Wells County Public Library
 200 West Washington Street
 Bluffton, Indiana 46714



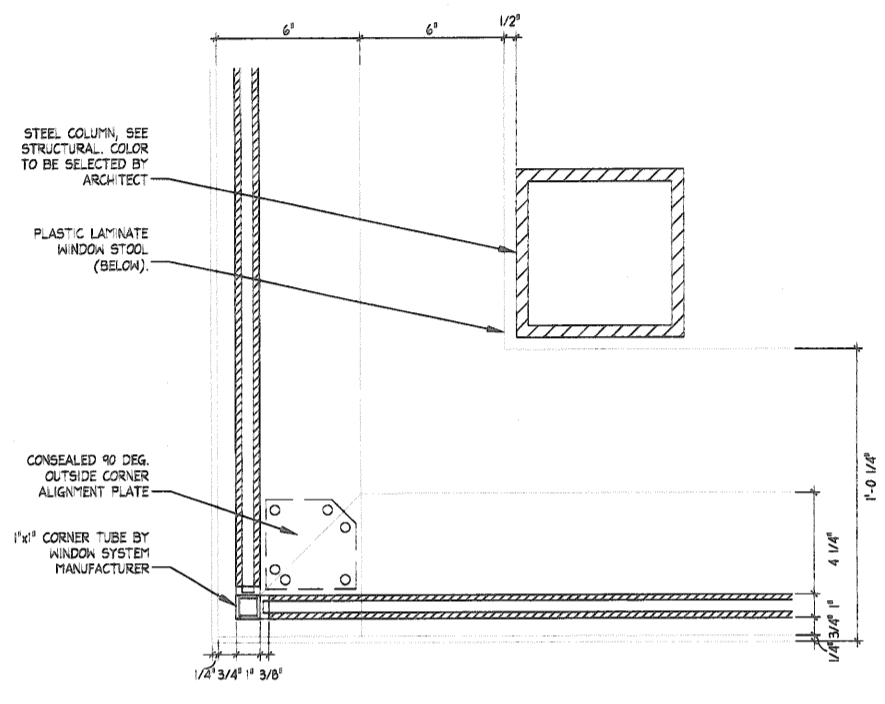
REVISION DATE BY

DATE PROJECT
11/2/2005 2005.0039

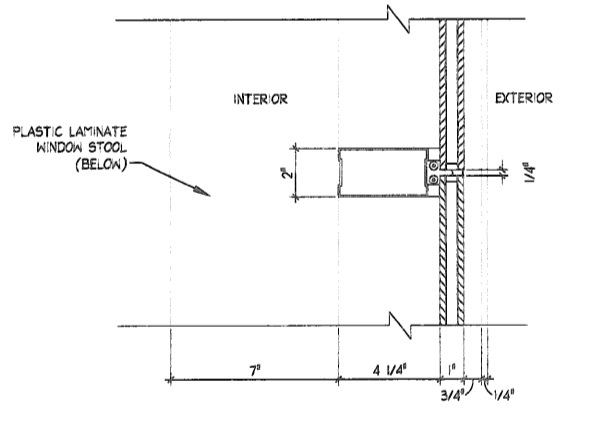
TITLE
Door and Window Frame Details

SHEET

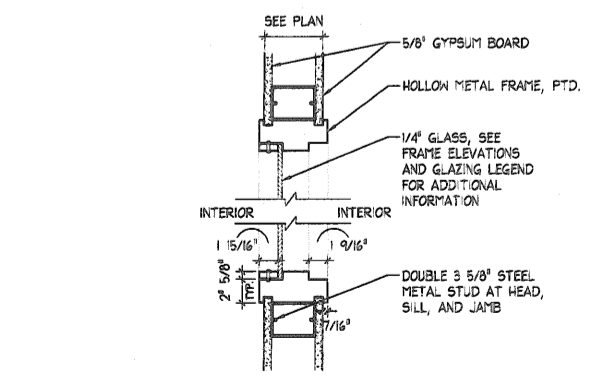
A7.2



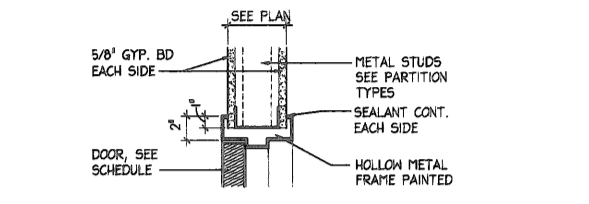
15 OUTSIDE CORNER DTL
SCALE: 1-1/2" = 1'-0"



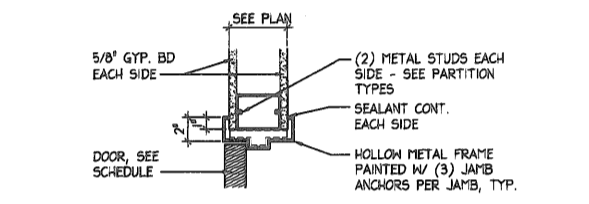
14 VERTICAL MULLION DTL
SCALE: 3" = 1'-0"



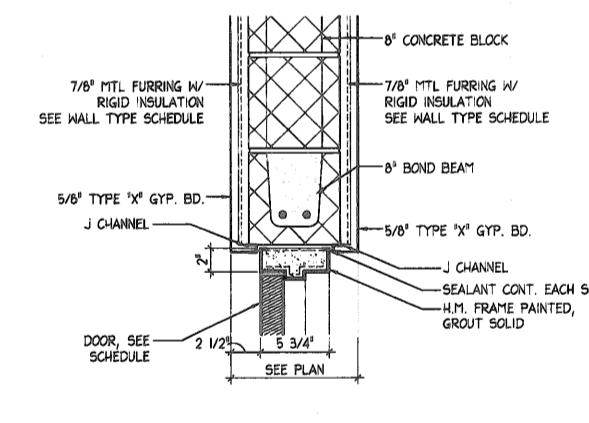
13 INTERIOR HEAD & SILL DTL
SCALE: 1 1/2" = 1'-0"



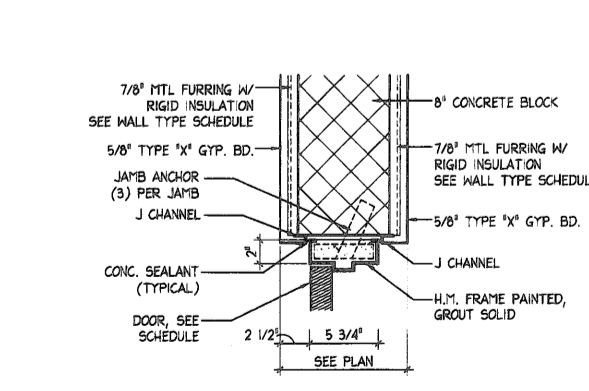
12 HEAD DETAIL
SCALE: 1-1/2" = 1'-0"



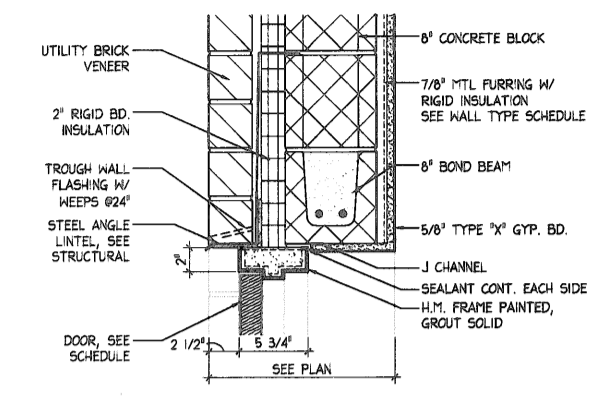
11 JAMB DETAIL
SCALE: 1-1/2" = 1'-0"



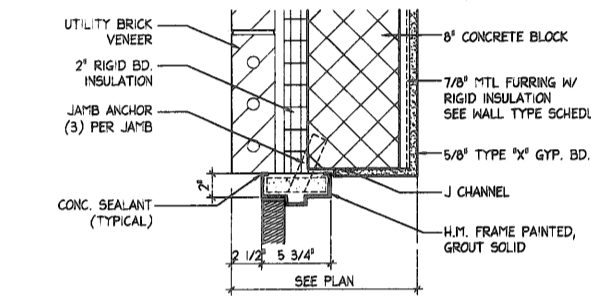
10 HEAD DETAIL
SCALE: 1 1/2" = 1'-0"



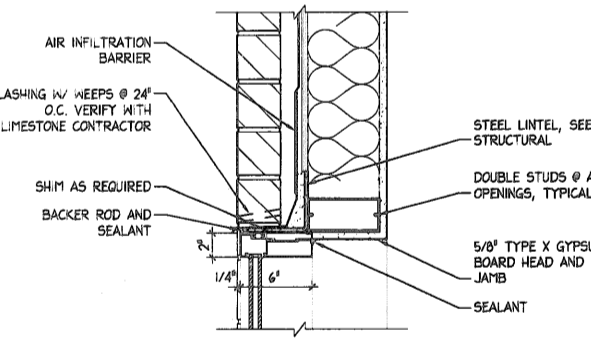
9 JAMB DETAIL
SCALE: 1 1/2" = 1'-0"



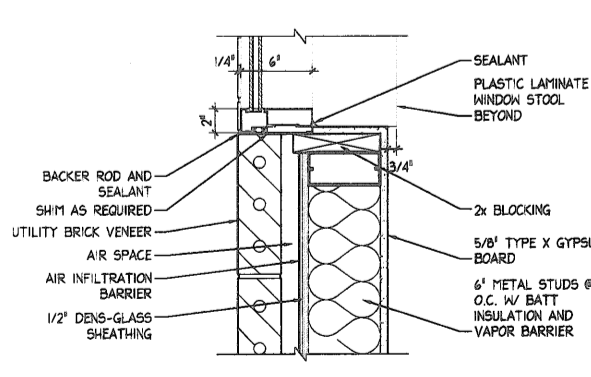
8 HEAD DETAIL
SCALE: 1 1/2" = 1'-0"



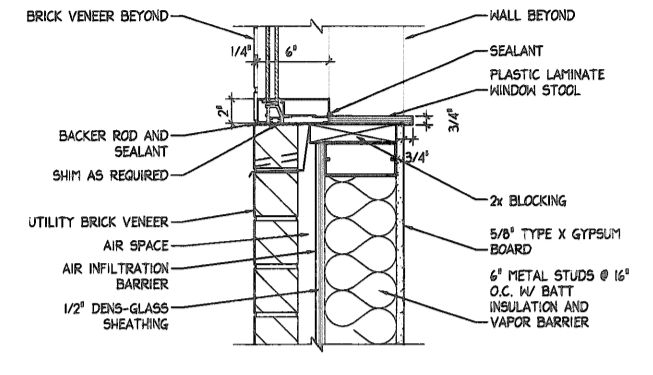
7 JAMB DETAIL
SCALE: 1 1/2" = 1'-0"



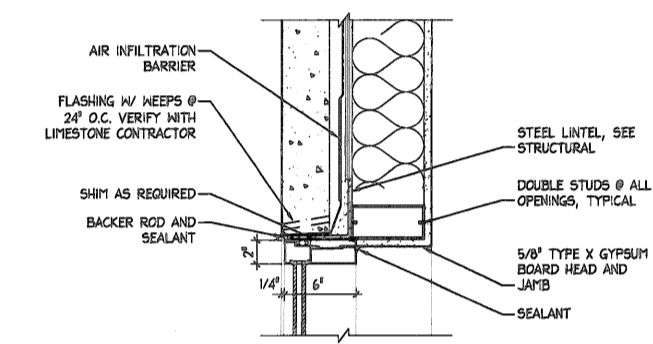
6 HEAD DETAIL @ BRICK
SCALE: 1 1/2" = 1'-0"



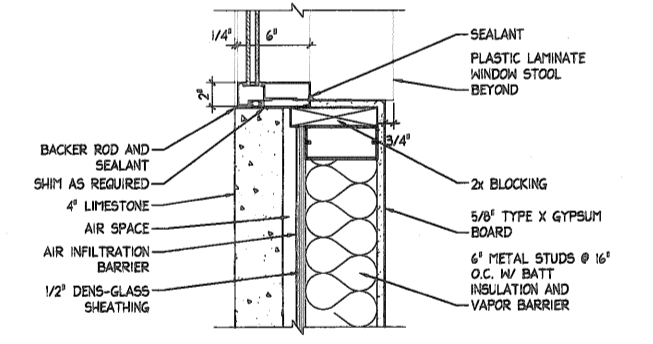
5 JAMB DETAIL @ BRICK
SCALE: 1 1/2" = 1'-0"



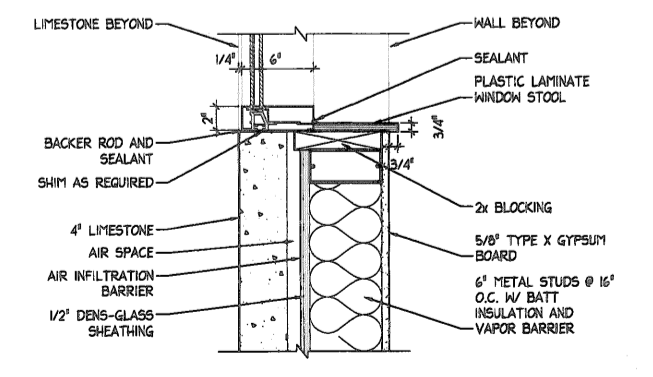
4 SILL DETAIL @ BRICK
SCALE: 1 1/2" = 1'-0"



3 HEAD DETAIL @ LIMESTONE
SCALE: 1 1/2" = 1'-0"



2 JAMB DETAIL @ LIMESTONE
SCALE: 1 1/2" = 1'-0"



1 SILL DETAIL @ LIMESTONE
SCALE: 1 1/2" = 1'-0"