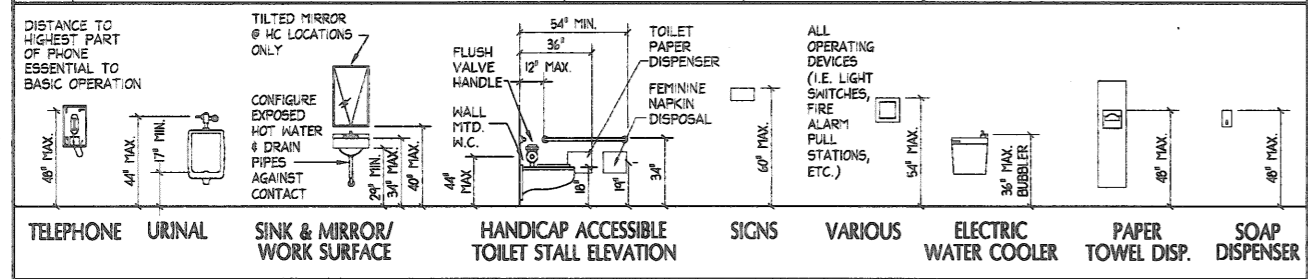
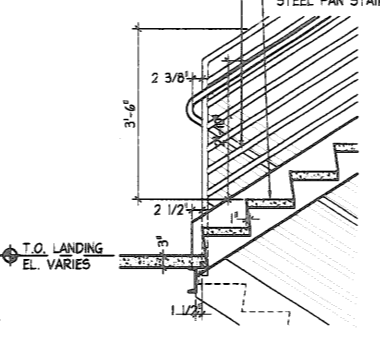


TOILET ACCESSORY SCHEDULE			
ITEM	NAME	MANUFACTURER	MODEL NUMBER
1	TOILET TISSUE HOLDER, SURFACE-MOUNTED	BOBRICK	B-2888
2	SURFACE MOUNTED SOAP DISPENSER	BOBRICK	B-132
3	SEMI RECESSED PAPER TOWEL DISPENSER/DISPOSAL	BOBRICK	B-3944
4	SURFACE MOUNTED MIRROR IN FRAME, 24x36	BOBRICK	B-95-2436
5	GRAB BAR, L-SHAPED, 42 X 36	BOBRICK	B-5937
6	SURFACE MOUNTED DIAPER CHANGING STATION	BOBRICK	B-2210
7			
8			
9			
10			
11			
12			
13			
14			

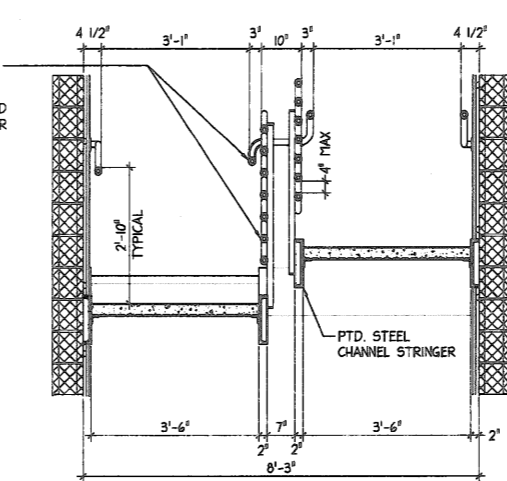
HANDICAP ACCESSIBLE TOILET STALL PLAN



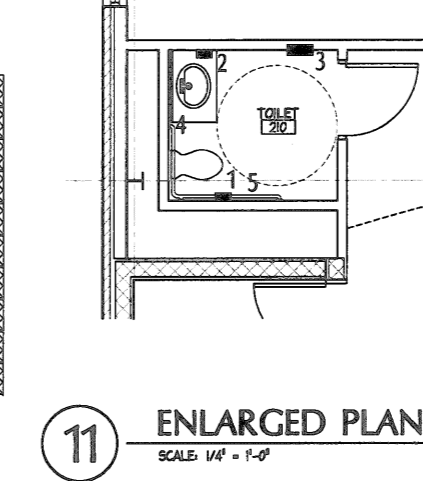
14 HANDRAIL
SCALE: 1/2" = 1'-0"



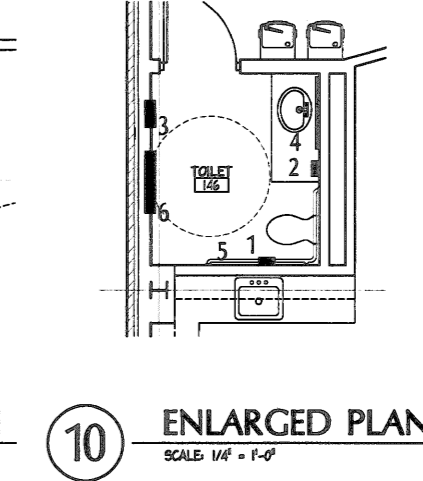
13 STAIR DETAIL
SCALE: 1/2" = 1'-0"



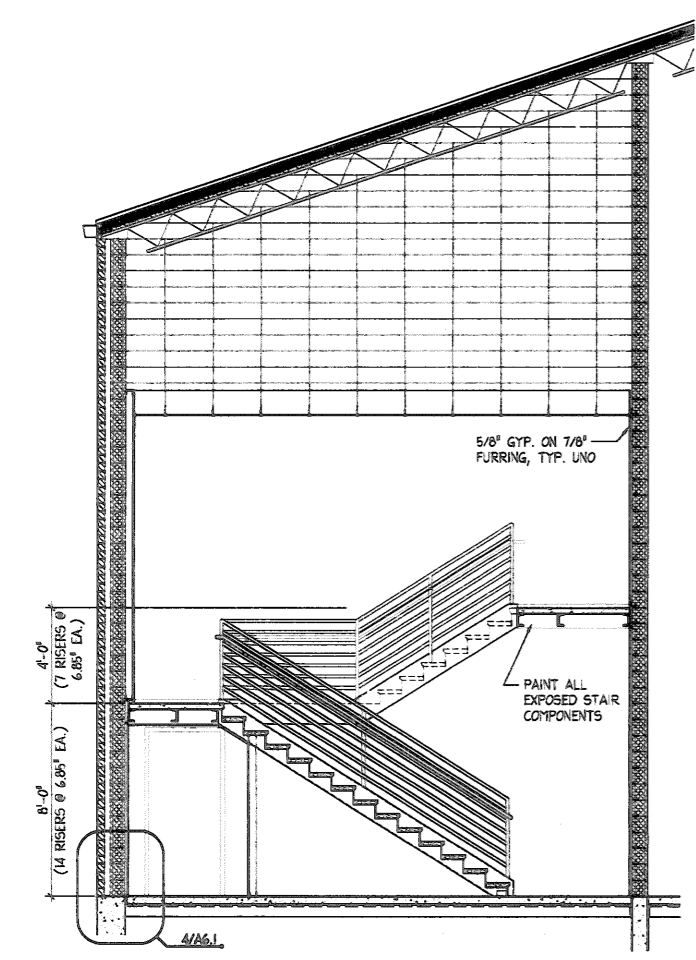
12 STAIR DETAIL
SCALE: 1/2" = 1'-0"



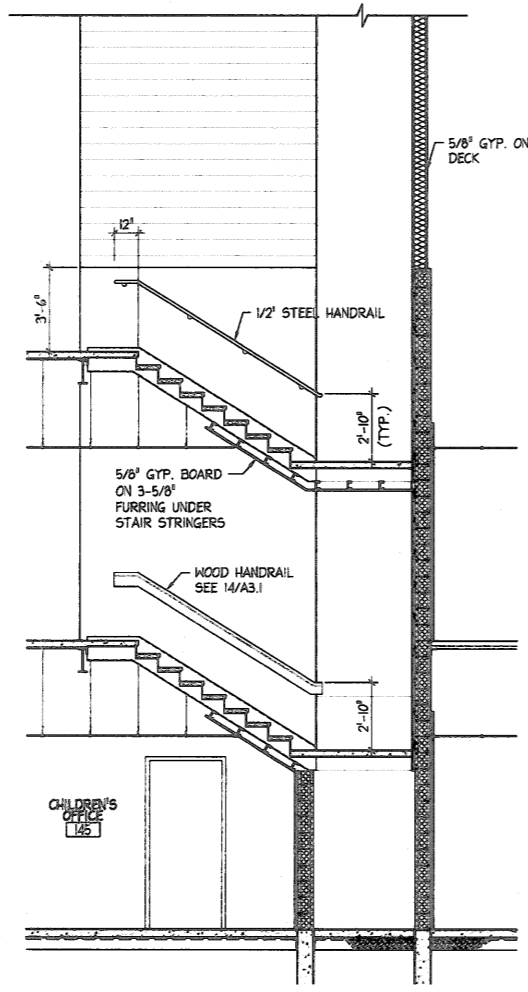
11 ENLARGED PLAN
SCALE: 1/4" = 1'-0"



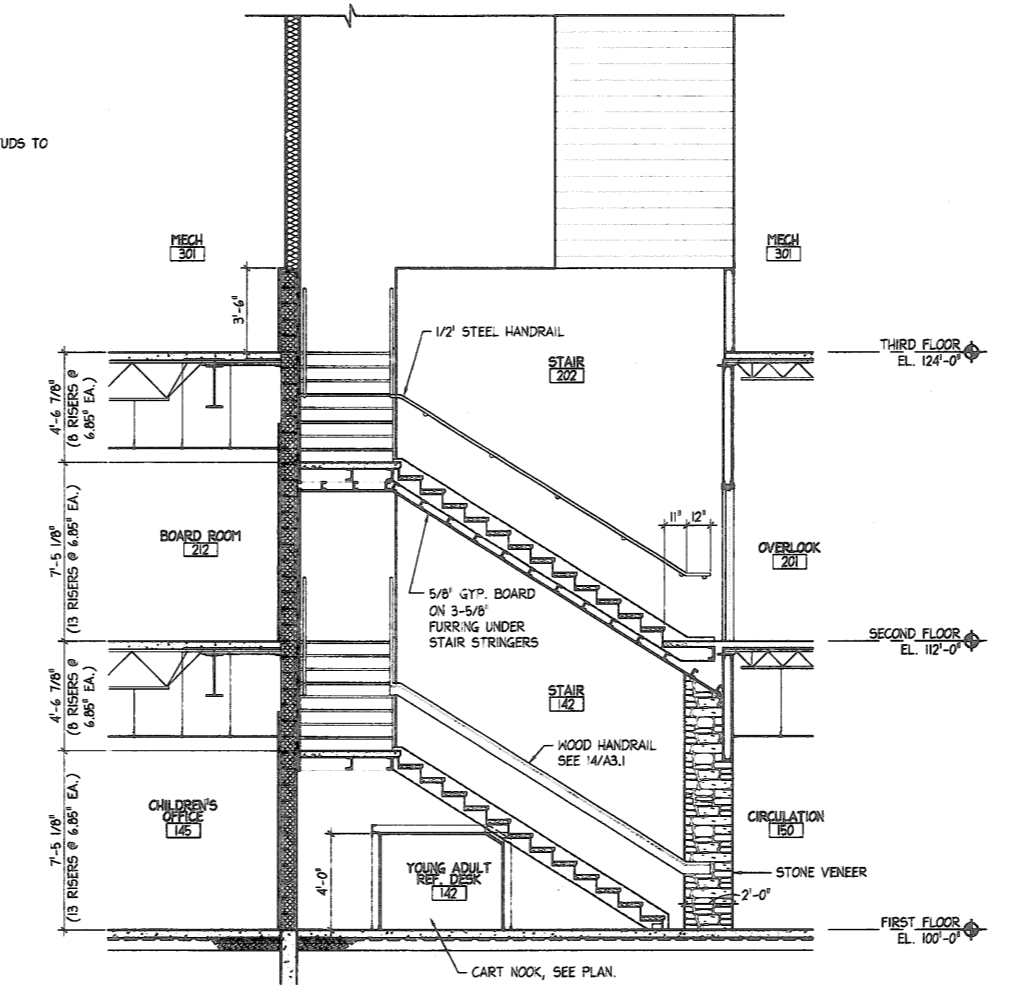
10 ENLARGED PLAN
SCALE: 1/4" = 1'-0"



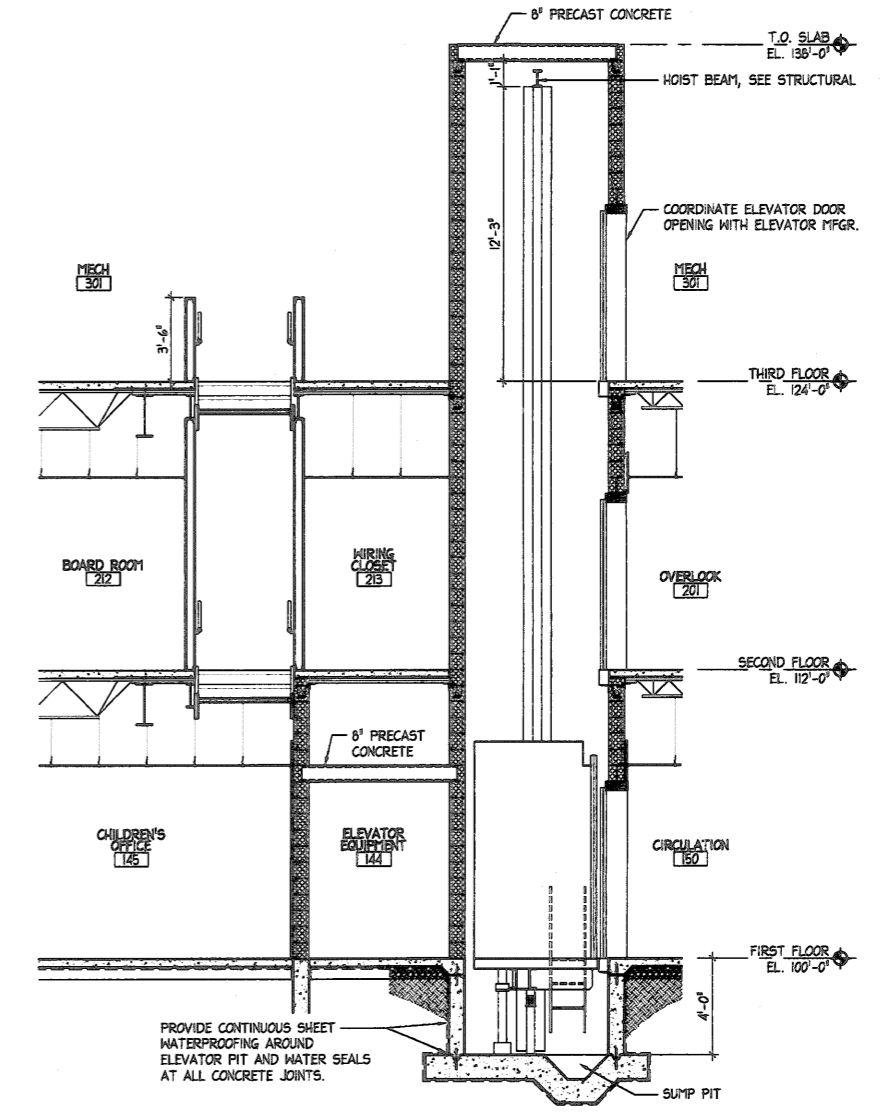
9 STAIR SECTION
SCALE: 1/4" = 1'-0"



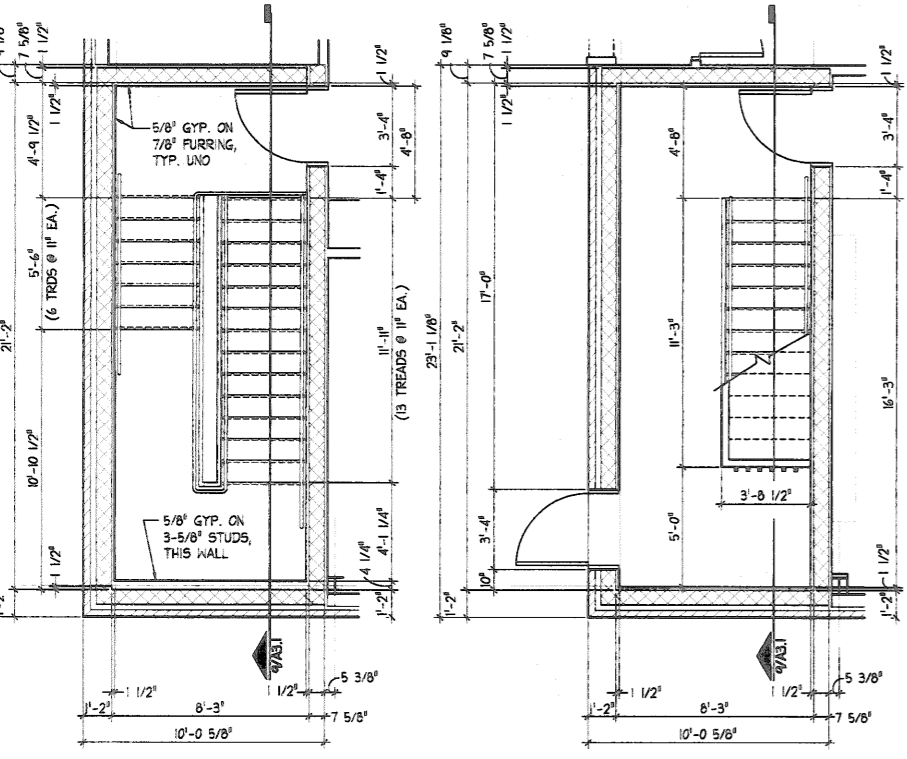
8 STAIR SECTION
SCALE: 1/4" = 1'-0"



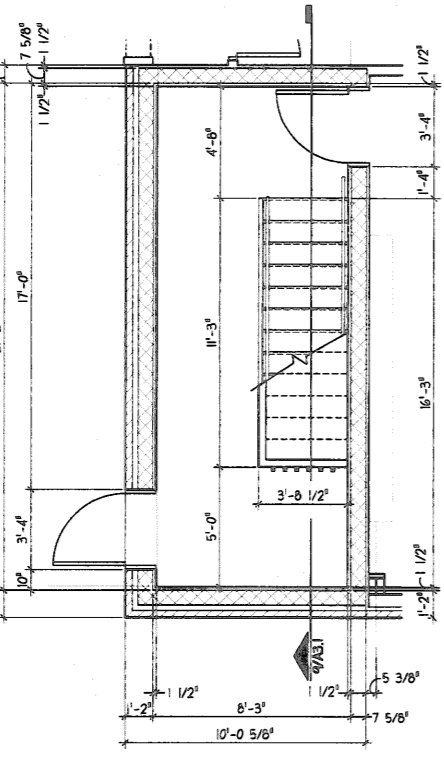
7 STAIR SECTION
SCALE: 1/4" = 1'-0"



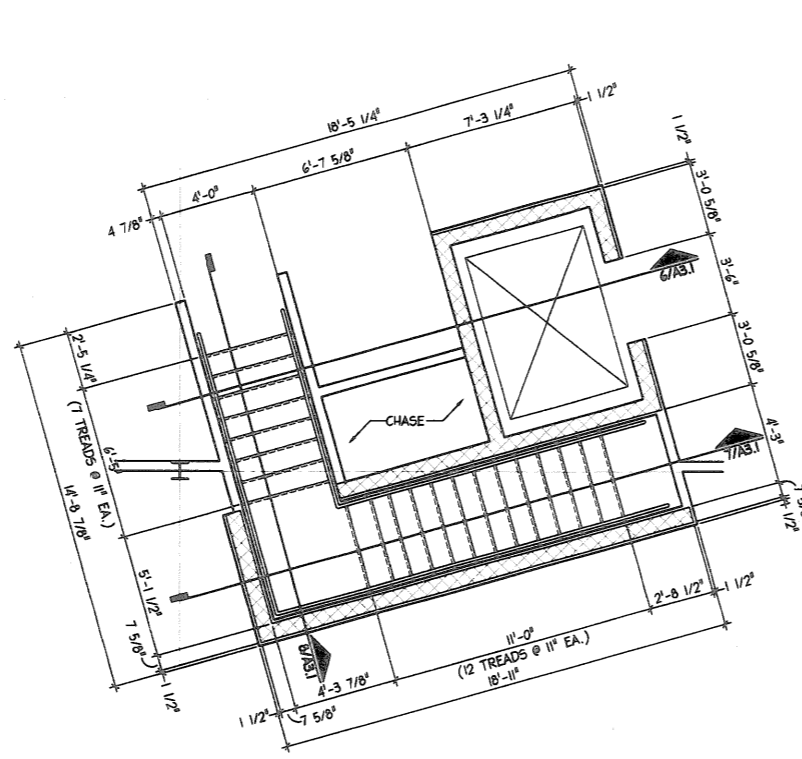
6 ELEVATOR SECTION
SCALE: 1/4" = 1'-0"



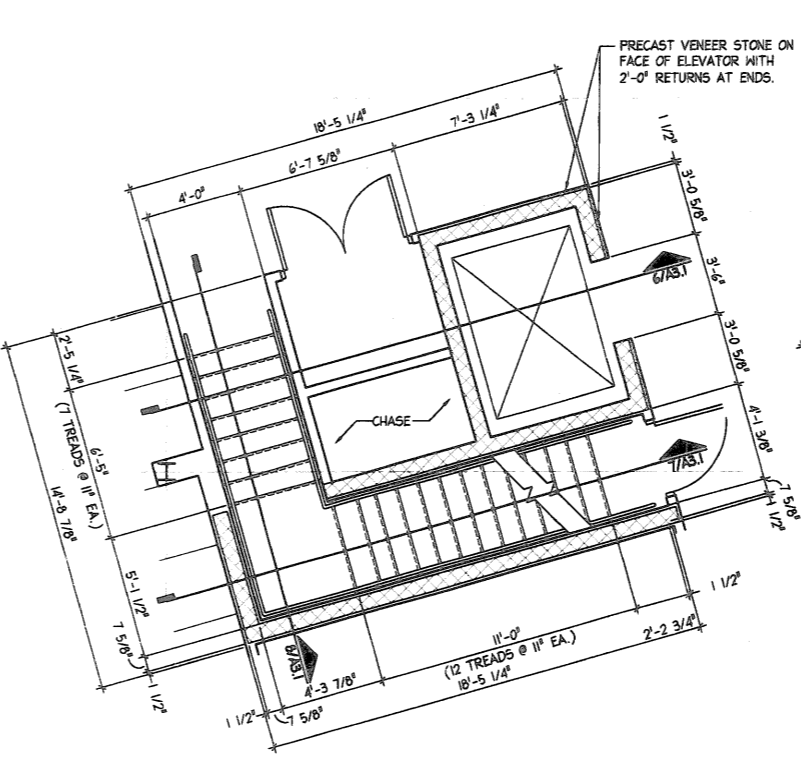
5 STAIR PLAN
SCALE: 1/4" = 1'-0"
2ND FLOOR



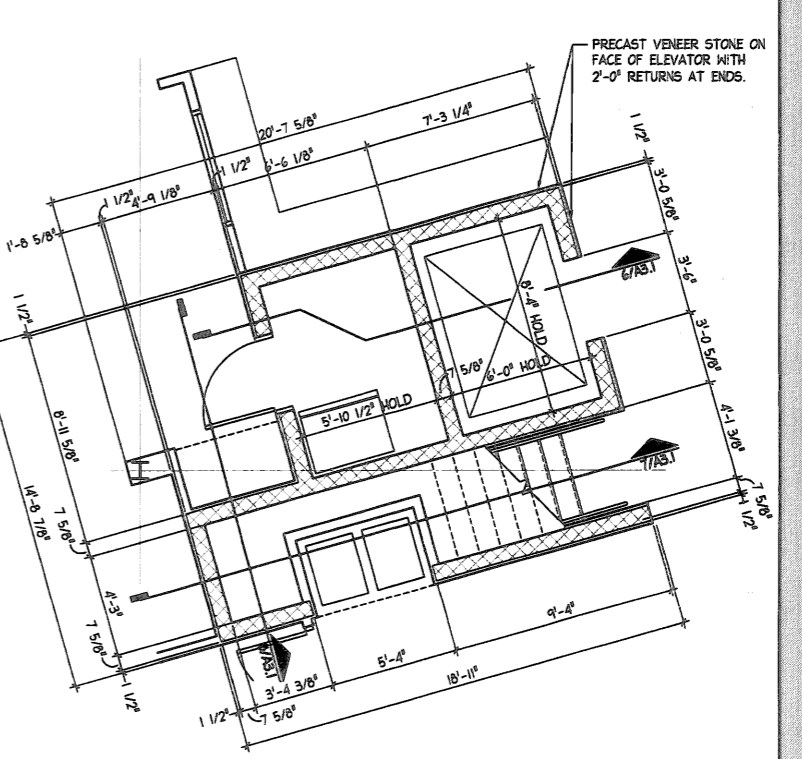
4 STAIR PLAN
SCALE: 1/4" = 1'-0"
1ST FLOOR



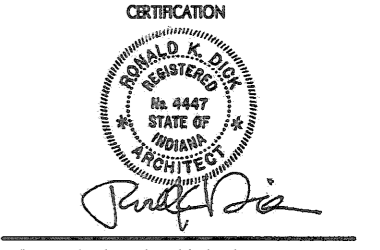
3 STAIR / ELEV PLAN
SCALE: 1/4" = 1'-0"
3RD FLOOR



2 STAIR / ELEV PLAN
SCALE: 1/4" = 1'-0"
2ND FLOOR



1 STAIR / ELEV PLAN
SCALE: 1/4" = 1'-0"
1ST FLOOR



All concepts, ideas, designs, plans and details as shown on this document are the sole property of Design Collaborative, Inc. and shall not be used for any purpose without their expressed written consent. The owner shall be permitted to make copies for information and reference.

Wells County Public Library
200 West Washington Street
Bluffton, Indiana 46714



REVISION DATE BY

DATE PROJECT
11/2/2005 2005.0039

TITLE
Enlarged Plans & Stair Sections

SHEET

A3.1