



CERTIFICATION



All concepts, ideas, designs, plans and details as shown on this document are the sole property of Design Collaborative, Inc. and shall not be used for any purpose without their expressed written consent. The owner shall be permitted to retain copies for information and reference.

Wells County Public Library

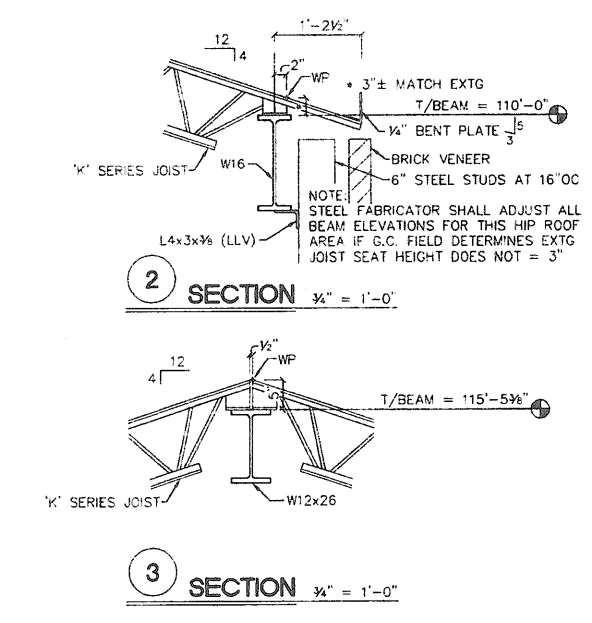
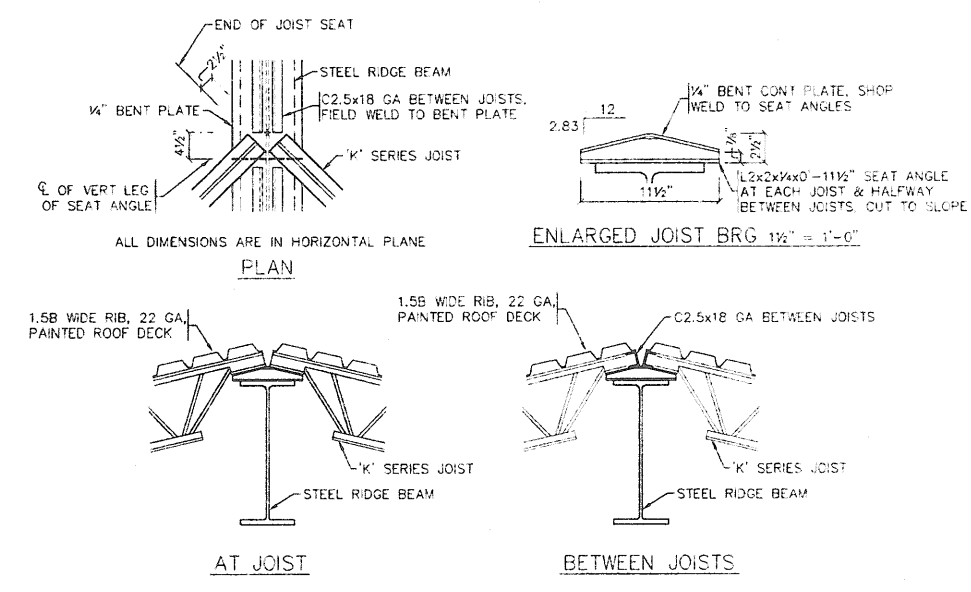
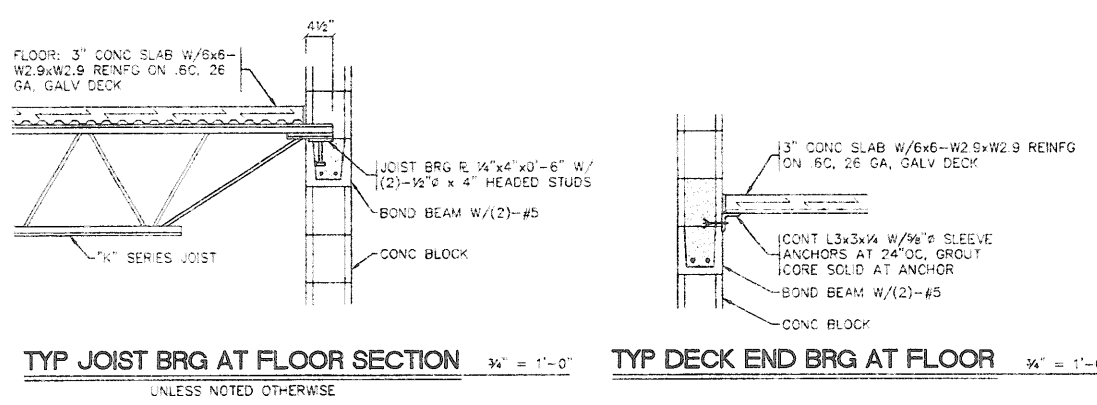
200 West Washington Street
Bluffton, Indiana 46714



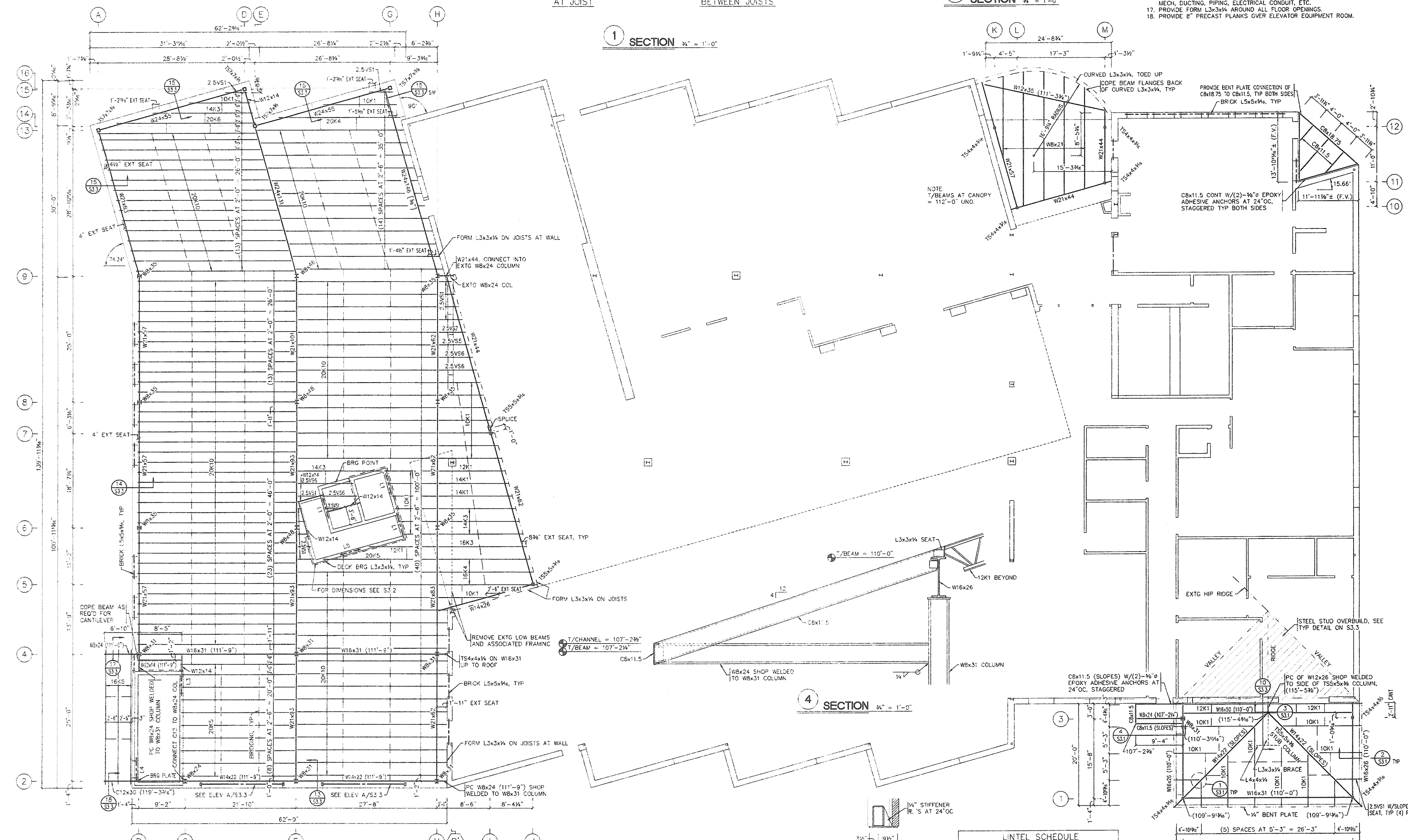
REVISION DATE BY

DATE PROJECT
11-2-2005 2005.0039
TITLE
Second Floor Framing Plan and Low Roof Framing Plan
SHEET

S3.1



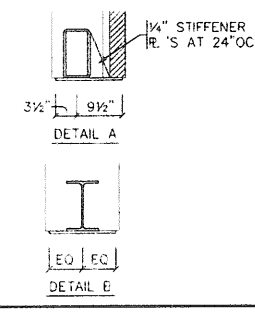
- NOTES:
- ROOF DECK: 1.5B WIDE RIB, 22 GA. PAINTED GALV DECK. TYP FIN FLR = 112'-0" JOIST BRG = 111'-6 1/2". T/BEAMS = 111'-0 1/2" UNO.
 - PROVIDE JOIST BRG PLATES 1/4"x4"x0'-6" AT 'K' SERIES JOISTS. PROVIDE JOIST BRG PLATES 1/4"x6"x0'-10" AT 'L' SERIES JOISTS THAT ARE ANGLED TO BRG WALL PLATE SHALL HAVE (2)-1/2"x4" HEADED STUDS INTO BOND BEAM.
 - INSTALL (2)-#5 IN BOND BEAMS.
 - SEE FPM PLANS AND SECTIONS FOR CONCR BLOCK VERTICAL WALL REINF. (000'-0"). DESIGNATES TOP OF BEAM. (1) T/BEAM = T/JADJACENT JOIST.
 - SEE STRUCTURAL STEEL NOTE #8, SHEET 34.1 FOR LINTELS NOT INDICATED ON PLANS.
 - EXTEND JOISTS 2" BEYOND BEAM CENTER LINE. EXTEND JOISTS 0" BEYOND BEAM LINTEL CENTER LINE WHEN LINTEL IS AT JOIST BRG ELEVATION (TYP).
 - PROVIDE BRG PLATES 1/2"x7"x0'-7" UNDER EACH END OF BEAMS AND BEAM LINTELS. WELD BEAMS/BOND BEAM LINTELS TO PLATE (TYP UNO).
 - ALL BRG PLATES SHALL HAVE (2)-1/2"x4" HEADED STUDS, AND HAVE (2) COURSES GROUTED SOLID UNDER PLATE.
 - BEAMS AND BEAM LINTELS SHALL HAVE FULL LENGTH (OR WIDTH) BRG ON BRG PLATES (UNO).
 - WHERE DECK SPAN CHANGES DIRECTION OVER STEEL BEAM, WELD TS 2x4x2x4 x4x6 TO TOP OF BEAM BETWEEN JOISTS FOR DECK BRG.
 - PROVIDE 9x4 CAP PLATES AT COLUMNS.
 - PROVIDE 1/2" STIFFENER PLATES EACH SIDE OF WEB WHERE BEAM EXTENDS OVER COLUMN.
 - JOIST MFR SHALL REINFORCE/INCREASE SIZE OF JOISTS FOR ROOFTOP MECH UNIT LOAD IN ADDITION TO UNIFORM ROOF LOAD NOTED ON PLAN. SEE MECH TO VERIFY WEIGHT AND LOCATION.
 - PROVIDE 14GA#12 CONT BENT PLATE AT ALL VALLEYS AND RIDGES.
 - SHM NEW SPLICE JOISTS RIGHT UNDER EXTG ROOF DECK. TACK WELD JOISTS TO DECK. REPLACE BRIDGING AS REQ'D. GENERAL CONTRACTOR SHALL PROVIDE AN ALLOWANCE FOR POSSIBLE TEMPORARY REMOVAL/REPLACEMENT OF EXTG MECH, DUCTING, PIPING, ELECTRICAL CONDUIT, ETC.
 - PROVIDE FORM L3x3x1/4" AROUND ALL FLOOR OPENINGS.
 - PROVIDE 8" PRECAST PLANKS OVER ELEVATOR EQUIPMENT ROOM.



SECOND FLOOR FRAMING PLAN AND LOW ROOF FRAMING PLAN
3/4" = 1'-0"

LINTEL SCHEDULE

MK	SIZE	DETAIL
L1	(2) L4x3 1/2x3/4 (LLV)	-
L2	(2) L5x3 1/2x3/4 (LLV)	-
L3	(2) L6x3 1/2x3/4 (LLV)	-
L4	TSB4x4x3/4 (LSV) + BOT PLATE 1/2"x13"	A
L5	WBx10 + BOT PLATE 1/2"x7"	B



NOTE: THIS AREA HAS ONLY STANDING SEAM ROOF ON CHANNELS. JOIST MFR SHALL CHECK ROOF SYSTEM & PROVIDE BRIDGING OR BRACING AS REQ'D TO ADEQUATELY BRACE T.C. AGAINST LAT. MOVEMENT AT FULL LOAD CONDITIONS.