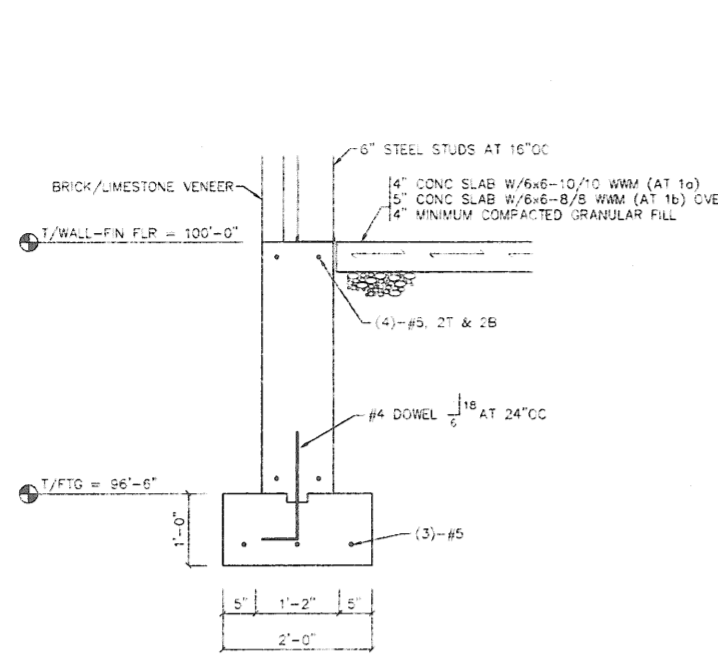




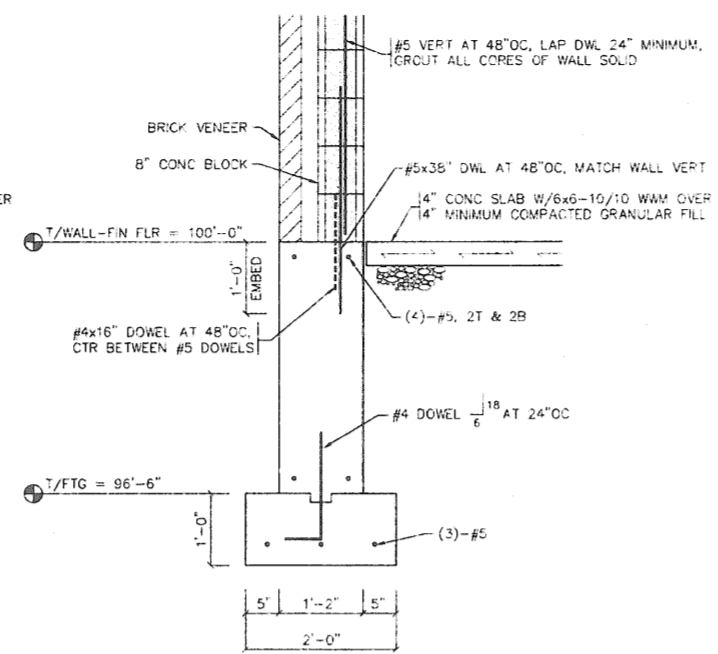
CERTIFICATION



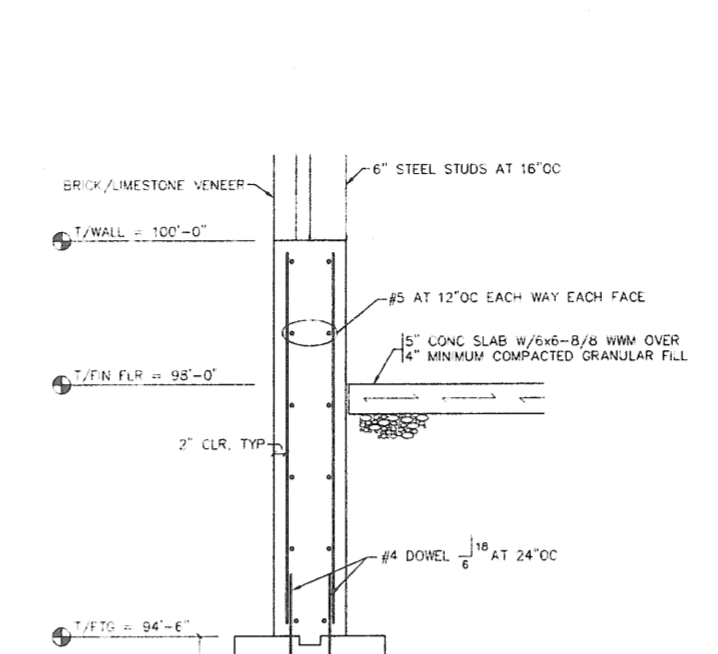
All concepts, ideas, designs, plans and details as shown on this document are the sole property of Design Collaborative, Inc. and shall not be used for any purpose without their expressed written consent. The owner shall be permitted to retain copies for information and reference.



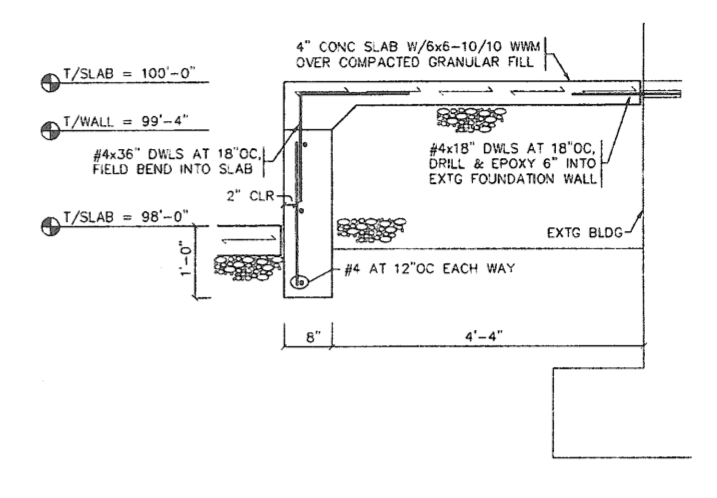
1 SECTION $\frac{3}{4}'' = 1'-0''$



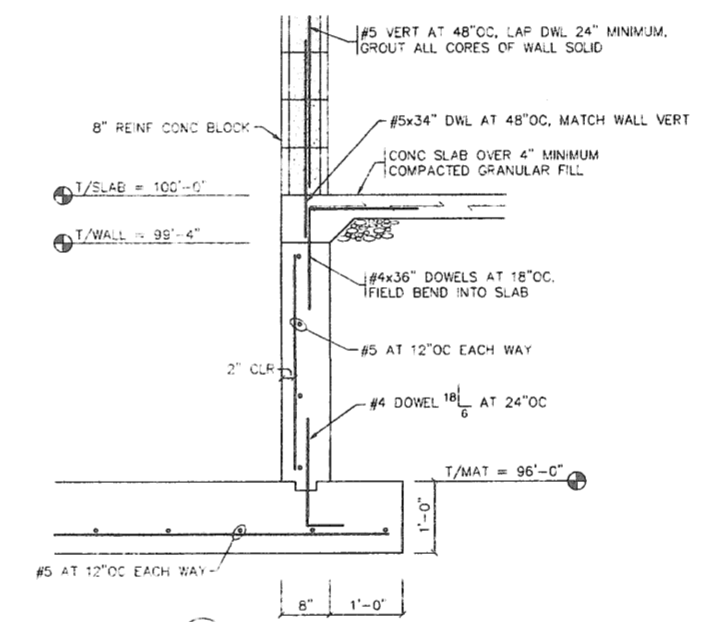
2 SECTION $\frac{3}{4}'' = 1'-0''$



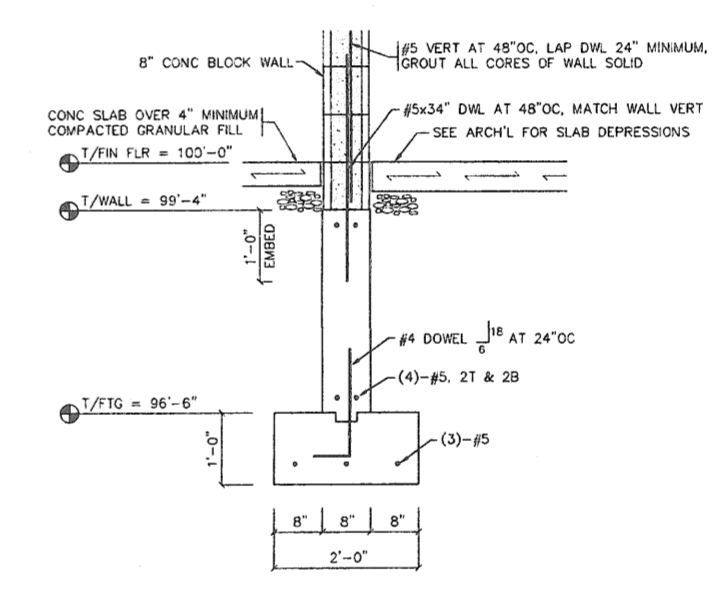
3 SECTION $\frac{3}{4}'' = 1'-0''$



4 SECTION $\frac{3}{4}'' = 1'-0''$



5 SECTION $\frac{3}{4}'' = 1'-0''$



TYP SECTION AT INTERIOR FTG $\frac{3}{4}'' = 1'-0''$

Wells County Public Library
 200 West Washington Street
 Bluffton, Indiana 46714



REVISION	DATE	BY

DATE	PROJECT
11-2-2005	2005.0039

TITLE
Foundation Sections

SHEET

S2.2