



All concepts, ideas, designs, plans and details as shown on this document are the sole property of Design Collaborative, Inc. and shall not be used for any purpose without their expressed written consent. The owner shall be permitted to reach copies for information and reference.

Wells County Public Library
200 West Washington Street
Bluffton, Indiana 46714



REVISION DATE BY

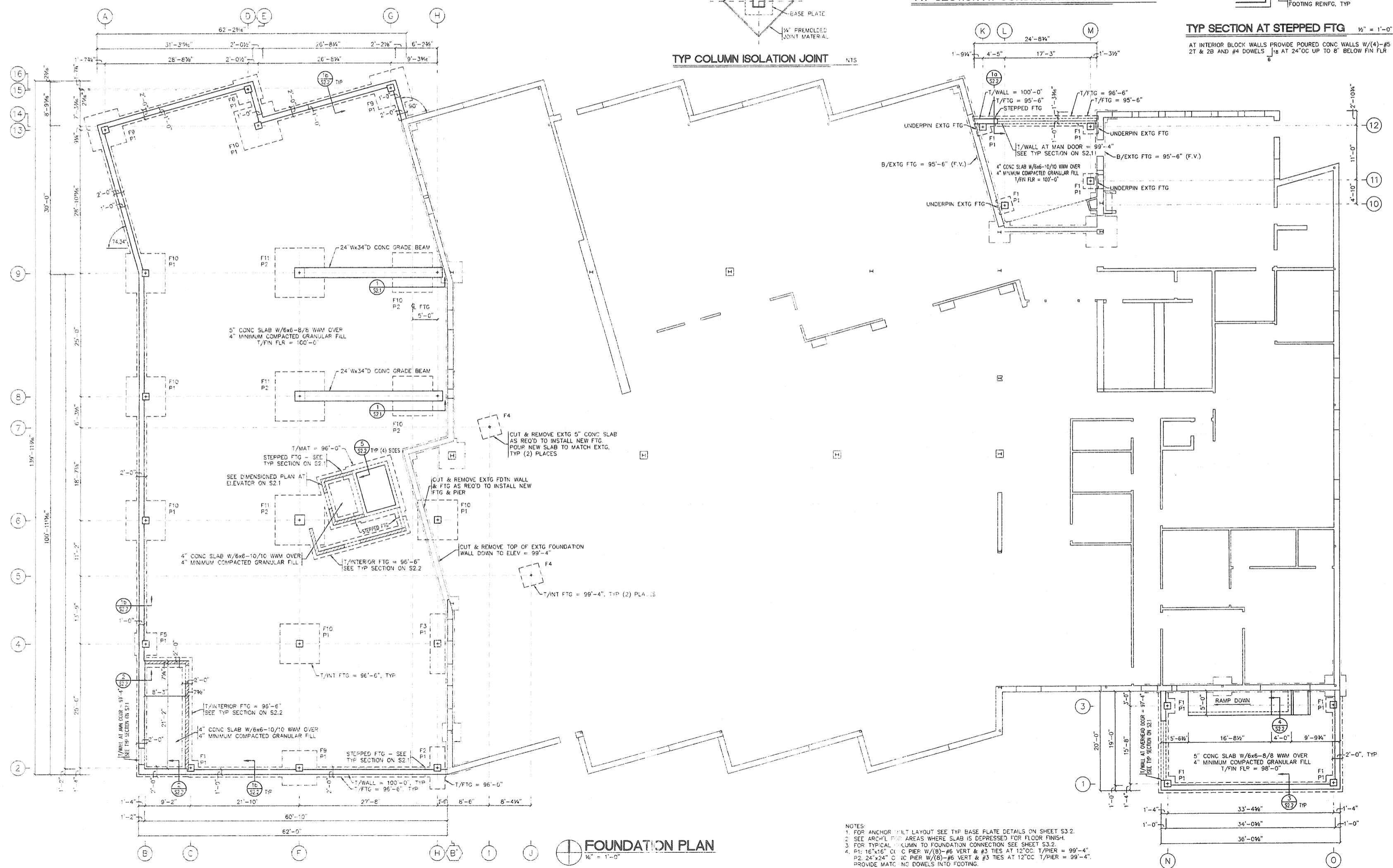
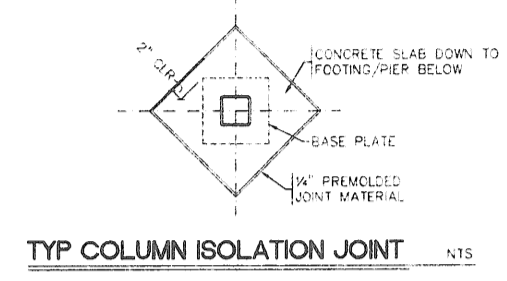
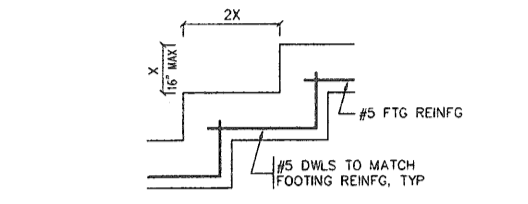
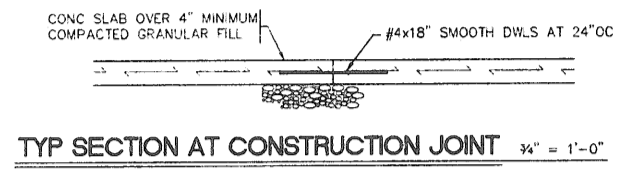
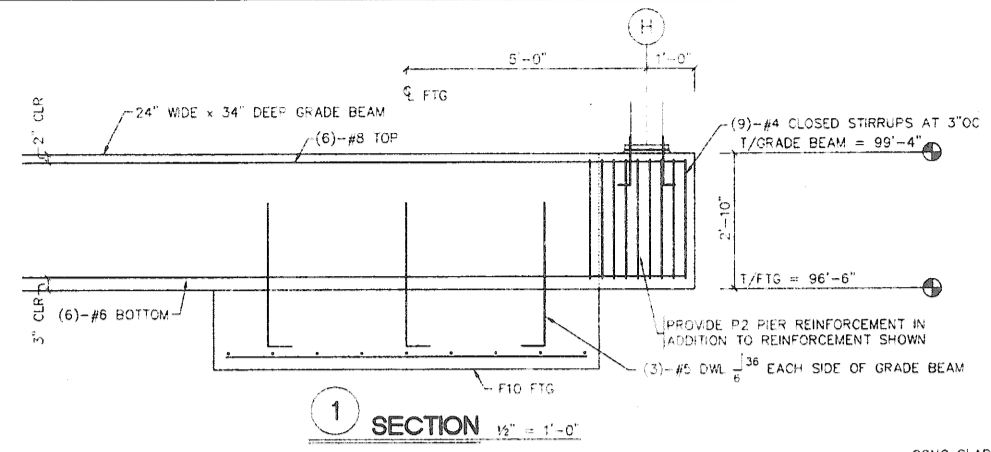
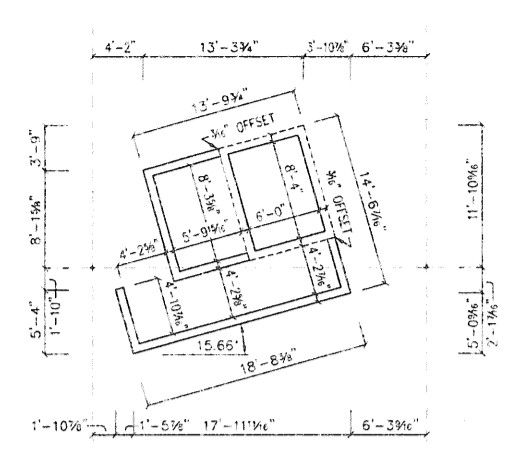
DATE PROJECT
11-2-2005 2005.0039

TITLE
Foundation Plan

SHEET
S2.1

MARK	SIZE	REINFORCING
F1	3'-0" x 3'-0" x 1'-0"	(4)-#5 EACH WAY
F2	3'-0" x 8'-6" x 1'-4"	(11)-#5 SHORT & (4)-#7 LONG
F3	3'-0" x 12'-0" x 1'-10"	(18)-#5 SHORT & (4)-#8 LONG
F4	4'-0" x 4'-0" x 1'-0"	(5)-#5 EACH WAY
F5	4'-0" x 4'-6" x 1'-0"	(5)-#5 EACH WAY
F6	5'-0" x 5'-0" x 1'-2"	(6)-#5 EACH WAY
F7	5'-0" x 5'-6" x 1'-2"	(6)-#5 EACH WAY
F8	6'-0" x 6'-0" x 1'-4"	(7)-#5 EACH WAY
F9	7'-0" x 7'-0" x 1'-6"	(8)-#6 EACH WAY
F10	8'-0" x 8'-0" x 1'-8"	(9)-#6 EACH WAY
F11	10'-0" x 10'-0" x 2'-0"	(11)-#7 EACH WAY

• PROVIDE STANDARD 180° AGI HOOK AT EACH END



- NOTES:
- FOR ANCHOR BOLT LAYOUT SEE TYP. BASE PLATE DETAILS ON SHEET S3.2.
 - SEE ARCH'L FOR AREAS WHERE SLAB IS DERESSED FOR FLOOR FINISH.
 - FOR TYPICAL COLUMN TO FOUNDATION CONNECTION SEE SHEET S3.2.
 - P1: 16"x16" CONC. PIER W/ (8)-#6 VERT & #3 TIES AT 12" OC. T/PIER = 99'-4".
 - P2: 24"x24" CONC. PIER W/ (8)-#6 VERT & #3 TIES AT 12" OC. T/PIER = 99'-4".
 - PROVIDE MATCHING DOWELS INTO FOOTING.